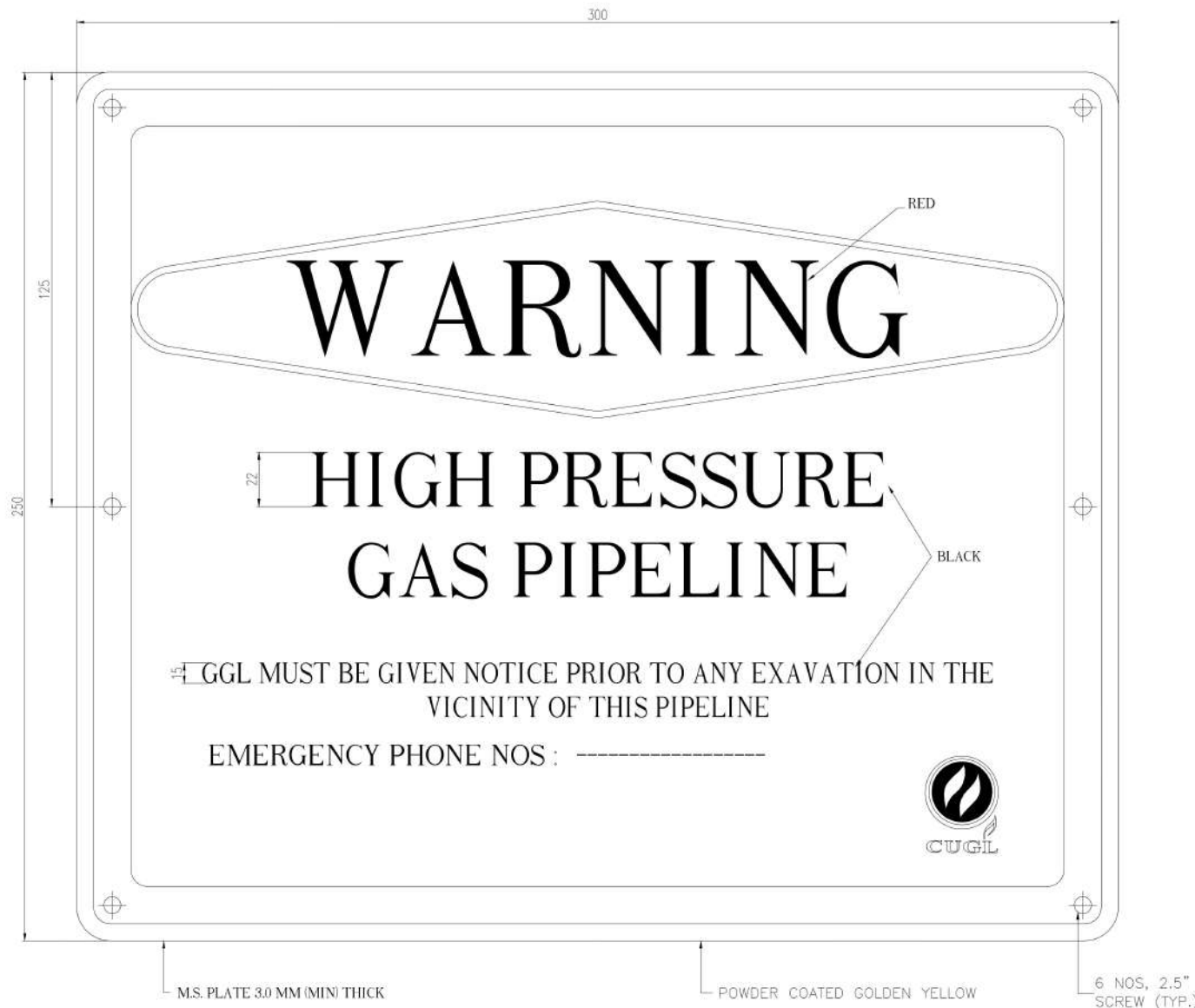


NOTES

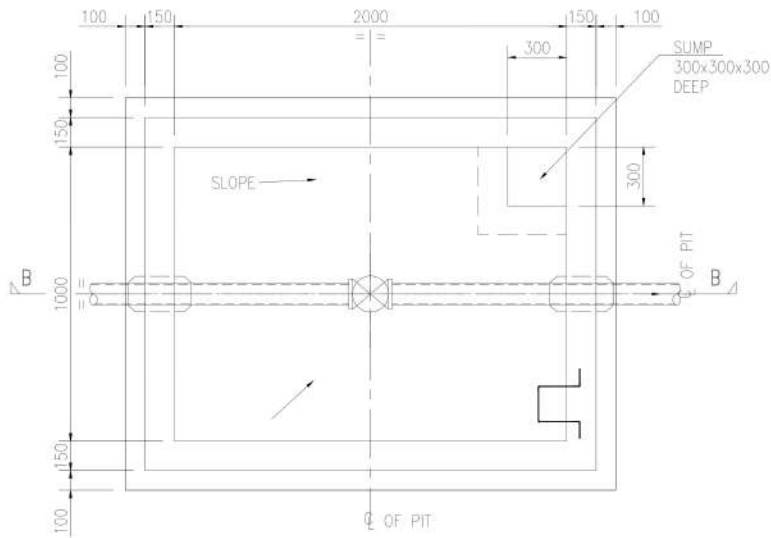
1. DRAWING IS NOT TO SCALE.
2. ALL DIMENSIONS ARE IN MM UNLESS OTHERWISE SPECIFIED.



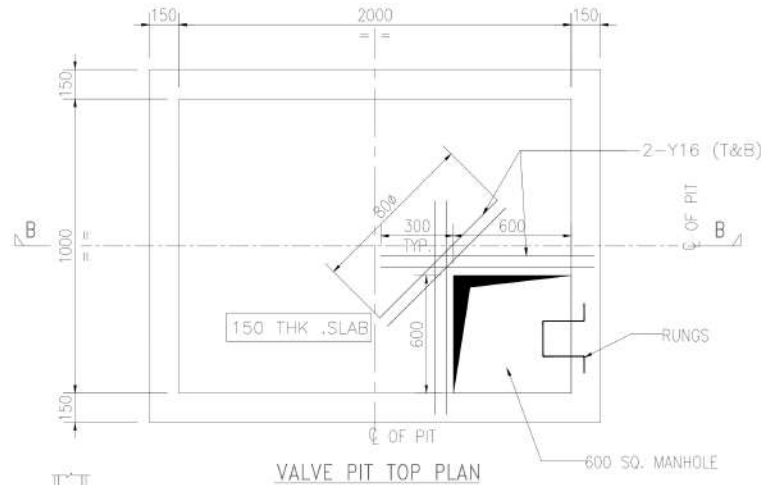
0	19.06.17	Sumit	MS	CKS	ISSUED FOR TENDERING		
REV.	DATE	SIGN	SIGN	SIGN	SUBJECT OF REVISION		
TITLE:							
PLATE MARKER							
CLIENT: CENTRAL UP GAS LIMITED							
PROJECT: CGD EXPANSION PROJECT IN KANPUR & BAREILLY						PROJECT NO.	
		SIZE : A3	SCALE : NTS	SHEET : -			
		DRAWING NUMBER					
							REV
							0

NOTES

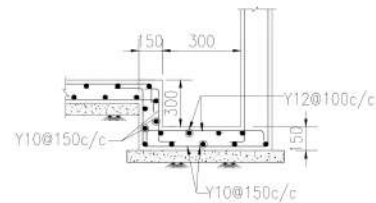
- 1 ALL DIMENSIONS ARE IN MM UNLESS NOTED OTHERWISE.
- 2 FOLLOW WRITTEN DIMENSION ONLY, DO NOT SCALE.
- 3 RCC SHALL BE OF M-25 GRADE.
- 4 ALL REINFORCEMENT MARKED 'Y / Ø' SHALL CONFIRM TO IS:1786 (fy=415 N/mm) AND Ø SHALL CONFIRM TO IS 432 (PART -I).
- 5 CLEAR COVER TO MAIN REINFORCEMENT SHALL BE (a) SLAB = 20mm.
- 6 WHEEL LOAD CONSIDERED 11.40 TON.



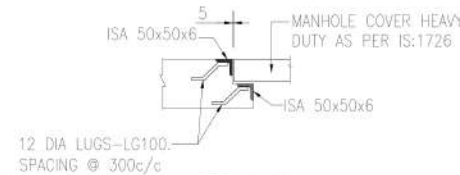
VALVE PIT BOTTOM PLAN



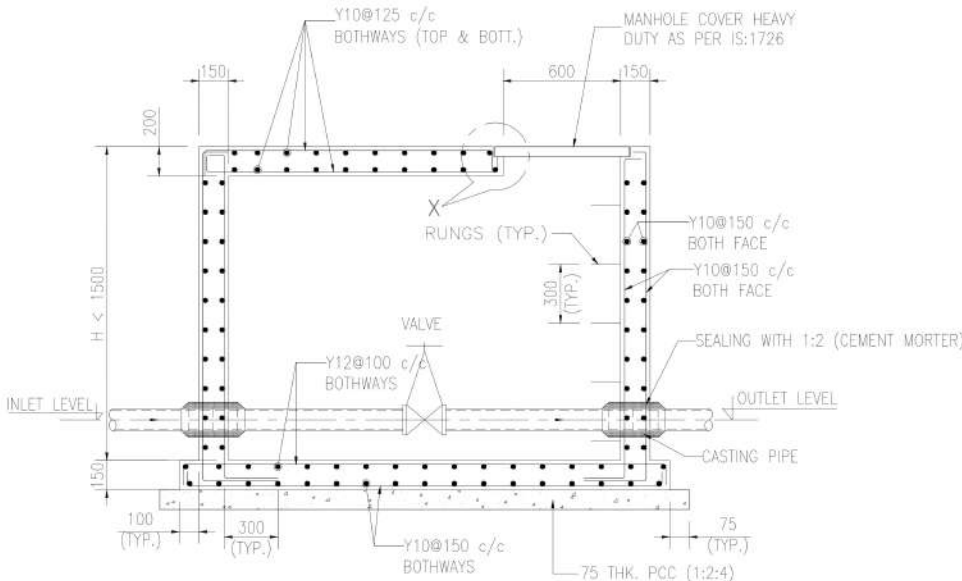
VALVE PIT TOP PLAN



TYP. REINF. DETAIL FOR SUMP

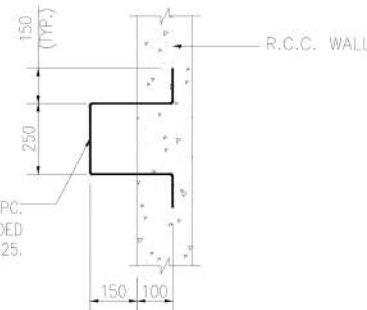


DETAIL X



SECTION B-B

16# WITH G.I. RUNGS AS/SEPC. @300c/c STAGGERED EMBEDDED IN CONC M-25.



TYPICAL DETAILS OF RUNGS

REV.	DATE	SIGN	SIGN	SIGN	SUBJECT OF REVISION

TITLE: **RCC VALVE CHAMBER (2.0m X 1.0m) TYPE- I**

CLIENT: **CENTRAL UP GAS LIMITED**

PROJECT: **CGD EXPANSION PROJECT IN KANPUR & BAREILLY**

PROJECT NO.

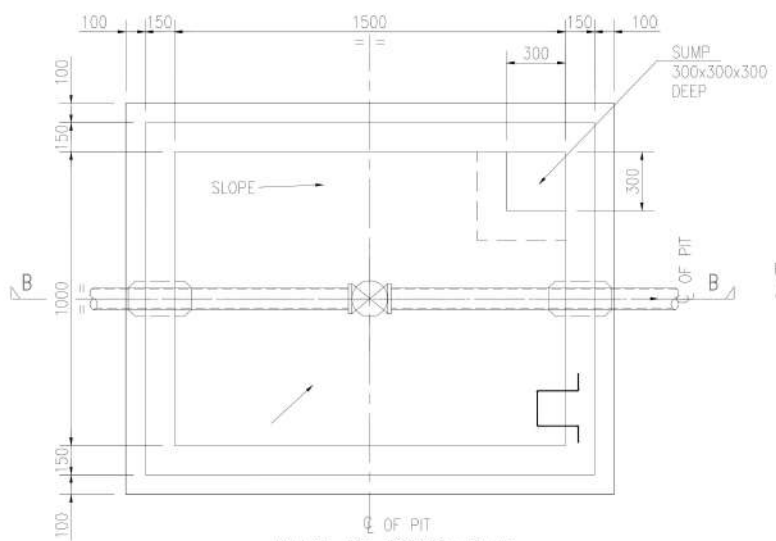
SIZE : A3 | SCALE : NTS | SHEET : 01 of 02

DRAWING NUMBER

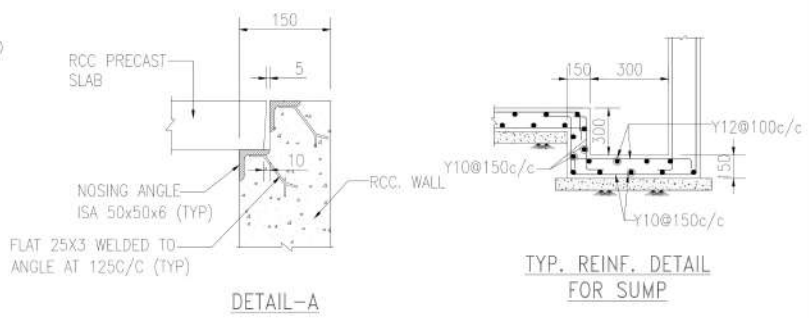
REV 0

NOTES

- 1 ALL DIMENSIONS ARE IN MM UNLESS NOTED OTHERWISE.
- 2 FOLLOW WRITTEN DIMENSION ONLY, DO NOT SCALE.
- 3 RCC SHALL BE OF M-25 GRADE.
- 4 ALL REINFORCEMENT MARKED 'Y / Ø' SHALL CONFIRM TO IS:1786 (fy=415 N/mm) AND Ø SHALL CONFIRM TO IS 432 (PART -I).
- 5 CLEAR COVER TO MAIN REINFORCEMENT SHALL BE (a) SLAB = 20mm.
- 6 WHEEL LOAD CONSIDERED 11.40 TON.
- 7 PRECAST SLAB TO BE PLACED ACROSS THE VEHICLES MOVEMENT.

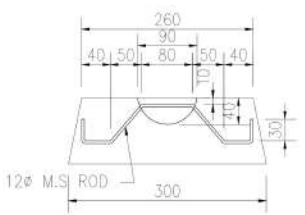


VALVE PIT BOTTOM PLAN

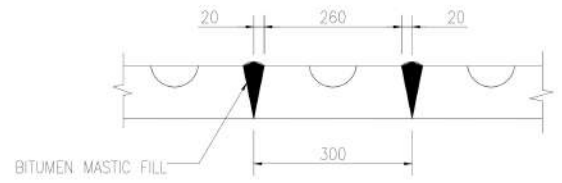


DETAIL-A

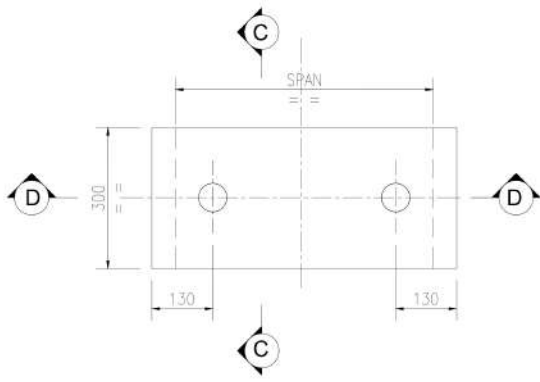
TYP. REINF. DETAIL FOR SUMP



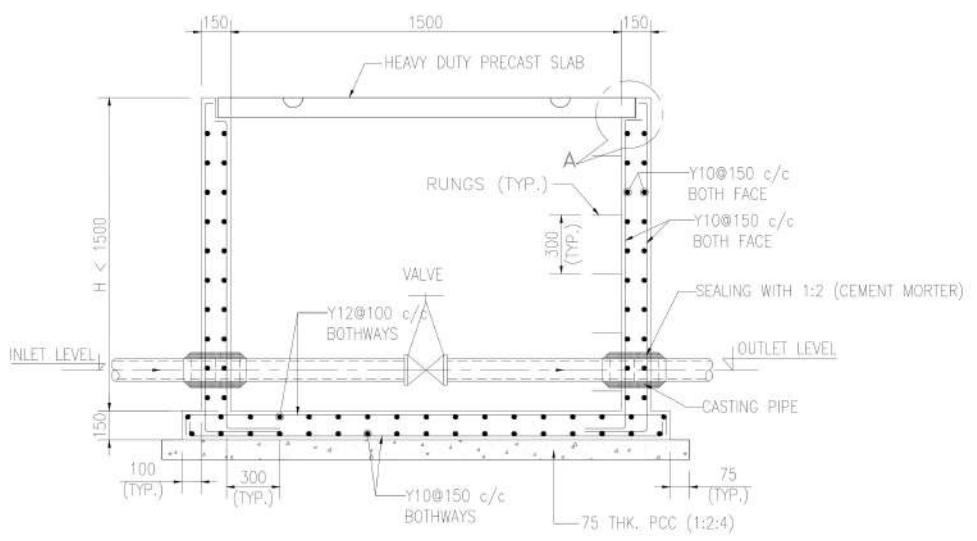
DETAIL OF HOOK



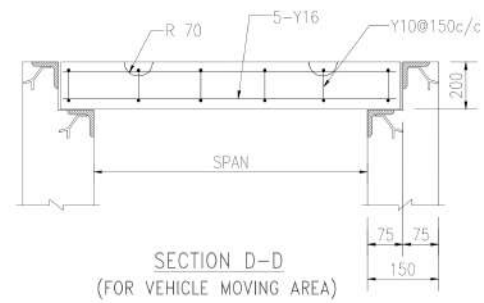
JOINTING DETAIL OF PRECAST COVER SLAB



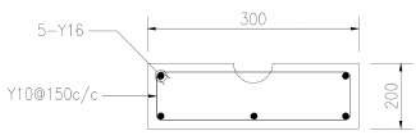
PLAN OF PRECAST COVER SLAB (FOR VEHICLE MOVING AREA)



SECTION B-B



SECTION D-D (FOR VEHICLE MOVING AREA)



SECTION C-C (FOR VEHICLE MOVING AREA)

REV.	DATE	SIGN	SIGN	SIGN	SUBJECT OF REVISION
REVISION		DRAWN	CHECKED	APPROVED	

TITLE: RCC VALVE CHAMBER (1.5m X 1.0m) TYPE- II

CLIENT: CENTRAL UP GAS LIMITED

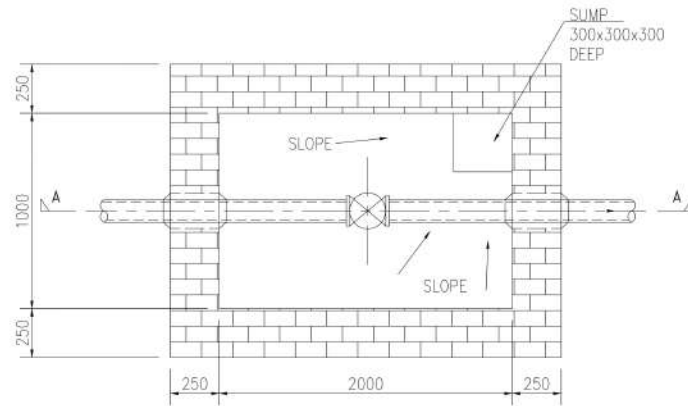
PROJECT: CGD EXPANSION PROJECT IN KANPUR & BAREILLY PROJECT NO.

SIZE : A3 SCALE : NTS SHEET : 02of02
DRAWING NUMBER

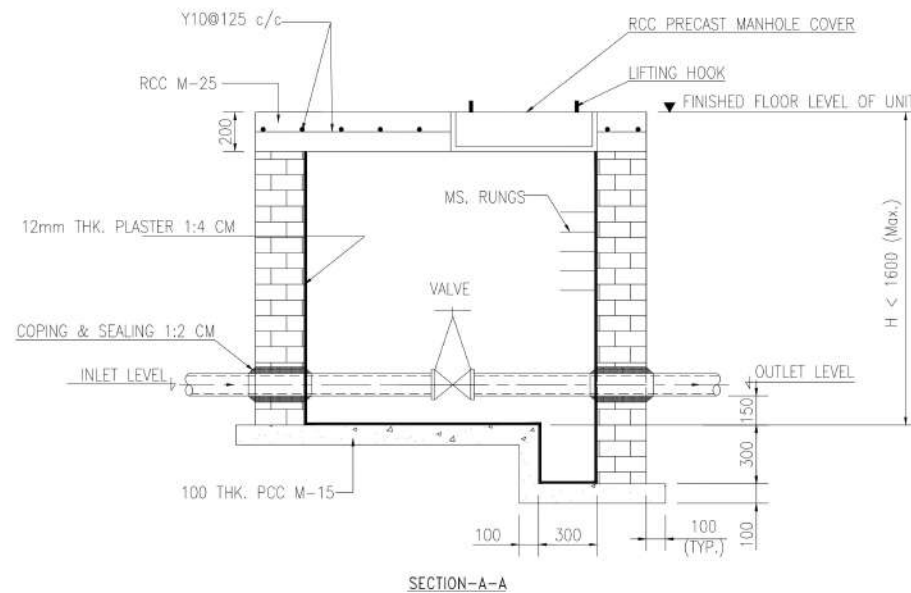
REV 0

NOTES


- 1 ALL DIMENSIONS ARE IN MM UNLESS NOTED OTHERWISE.
- 2 FOLLOW WRITTEN DIMENSION ONLY, DO NOT SCALE.
- 3 BRICK SHALL BE OF 75 CLASS, RCC OF M-25 & PCC OF M-15.
- 4 ALL REINFORCEMENT MARKED 'Y / Ø' SHALL CONFIRM TO IS:1786 (fy=415 N/mm) AND Ø SHALL CONFIRM TO IS 432 (PART -I).
- 5 CLEAR COVER TO MAIN REINFORCEMENT SHALL BE (α) SLAB = 20mm.



VALVE PIT PLAN

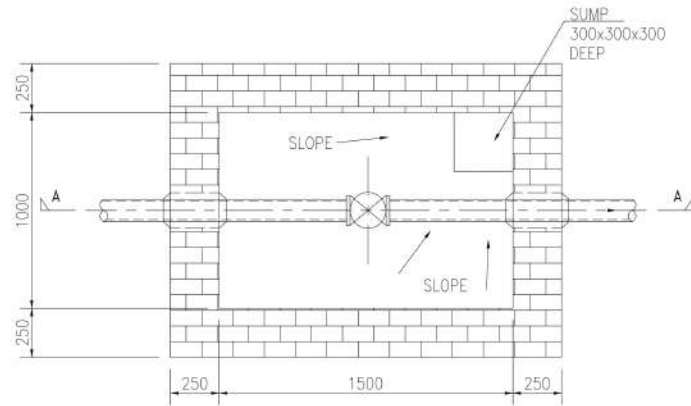


SECTION-A-A

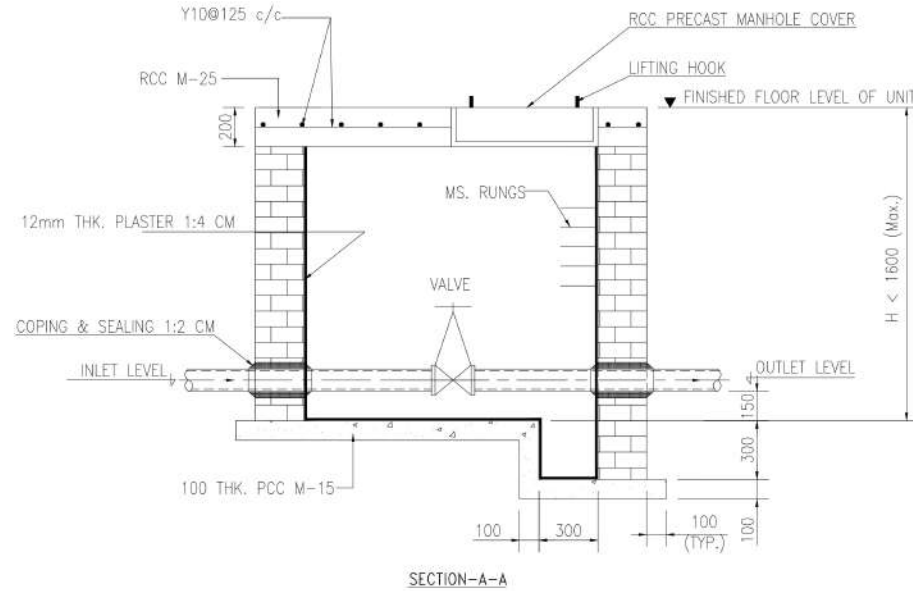
REV.	DATE	SIGN	SIGN	SIGN	SUBJECT OF REVISION
REVISION	DRAWN	CHECKED	APPROVED		
TITLE: BRICK WALL VALVE CHAMBER (2m X 1.0m) TYPE- I					
CLIENT:  CENTRAL UP GAS LIMITED					
PROJECT: CGD EXPANSION PROJECT IN KANPUR & BAREILLY					PROJECT NO.
DRAWING NUMBER				SIZE : A3	SCALE : NTS
				SHEET : 01 of 02	REV 0

NOTES

- 1 ALL DIMENSIONS ARE IN MM UNLESS NOTED OTHERWISE.
- 2 FOLLOW WRITTEN DIMENSION ONLY, DO NOT SCALE.
- 3 BRICK SHALL BE OF 75 CLASS, RCC OF M-25 & PCC OF M-15.
- 4 ALL REINFORCEMENT MARKED 'Y / Ø' SHALL CONFIRM TO IS:1786 (fy=415 N/mm) AND Ø SHALL CONFIRM TO IS 432 (PART -I).
- 5 CLEAR COVER TO MAIN REINFORCEMENT SHALL BE (a) SLAB = 20mm.



VALVE PIT PLAN

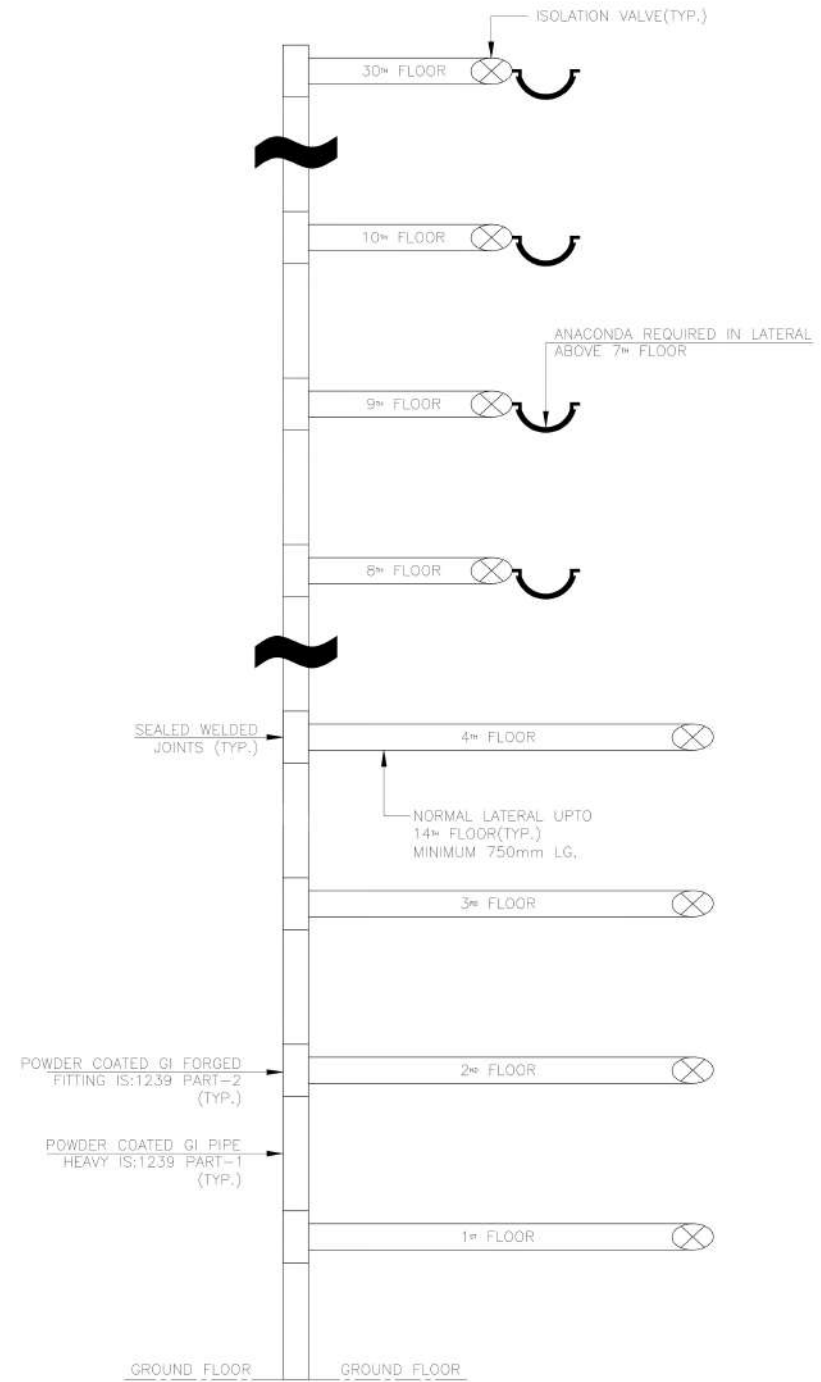


SECTION-A-A


REV.	DATE	SIGN	SIGN	SIGN	SUBJECT OF REVISION
REVISION	DRAWN	CHECKED	APPROVED		
TITLE: BRICK WALL VALVE CHAMBER (1.5m X 1.0m) TYPE- II					
CLIENT: CENTRAL UP GAS LIMITED					
PROJECT: CGD EXPANSION PROJECT IN KANPUR & BAREILLY					PROJECT NO.
SIZE : A3				SCALE : NTS	SHEET : 02of02
DRAWING NUMBER				REV	0

NOTES

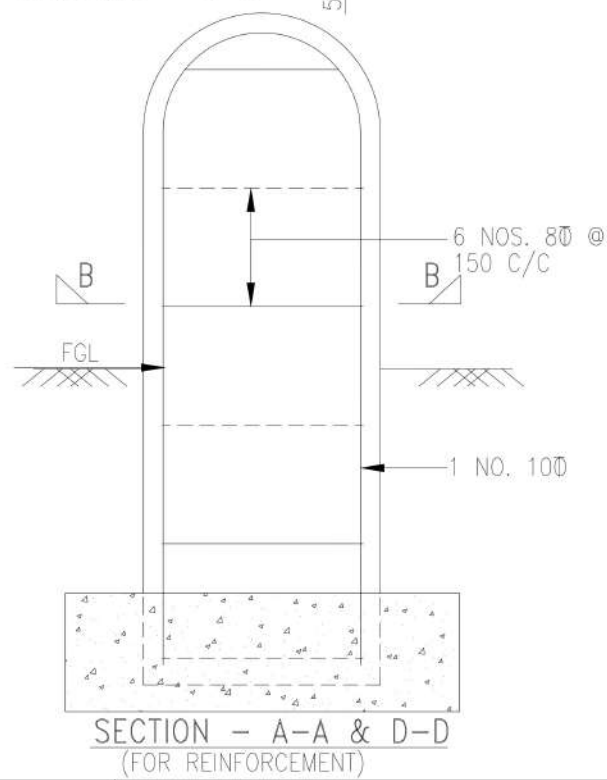
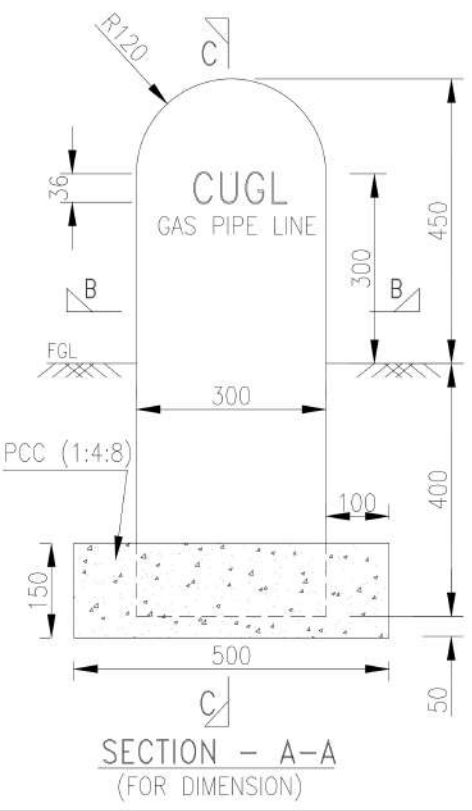
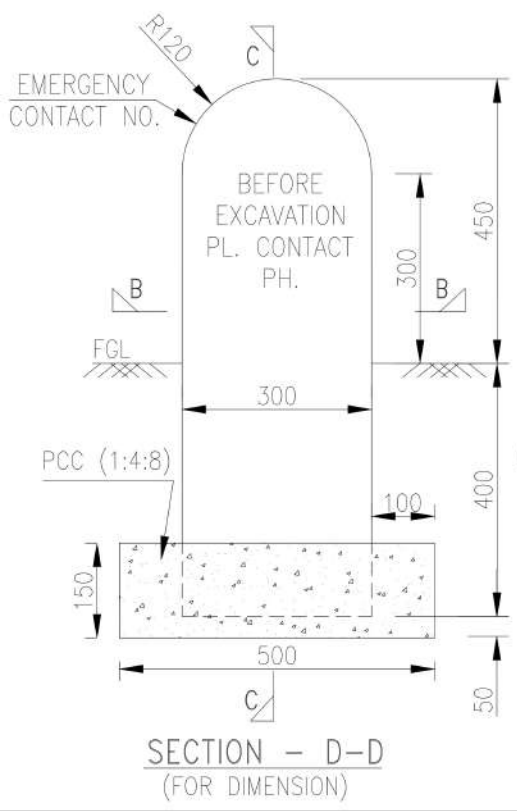
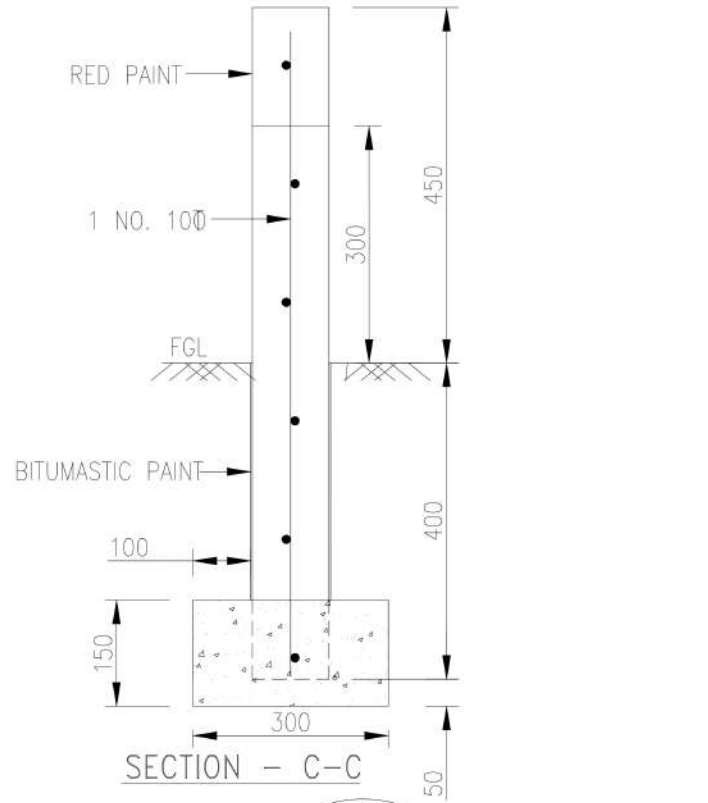
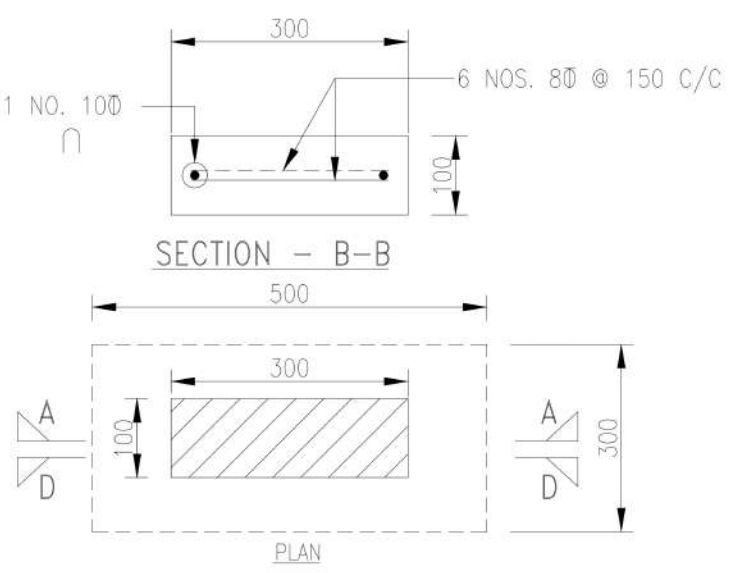
1. DRAWING IS NOT TO SCALE.
2. ALL DIMENSIONS ARE IN MM UNLESS OTHERWISE SPECIFIED.



SCHMATIC REPRESENTATION OF WELDED RISER

REV.	DATE	SIGN	SIGN	SIGN	SUBJECT OF REVISION
REVISION	DRAWN	CHECKED	APPROVED		
TITLE: SCHEMATIC REPRESENTATION OF WELDED RISER					
CLIENT:  CENTRAL UP GAS LIMITED					
PROJECT: CGD EXPANSION PROJECT IN KANPUR & BAREILLY					PROJECT NO.
			SIZE : A3	SCALE : NTS	SHEET : -
			DRAWING NUMBER		
					REV 10

- 1 DRAWING IS NOT TO SCALE.
- 2 ALL DIMENSIONS ARE IN MM UNLESS OTHERWISE SPECIFIED.
- 3 MARKERS SHALL BE INSTALLED IN EVERY 50 METER INTERVAL AS PER INSTRUCTIONS OF ENGINEER-IN-CHARGE.
- 4 ALL BOUNDARY MARKERS SHALL BE PRECAST & INSCRIPTIONS SHALL BE ENGRAVED 5mm DEEP IN THE MOULD ON BOTH FACE.
- 5 CONCRETE FOR BOUNDARY MARKER SHALL BE M-20.
- 6 SIDE PORTIONS (THICKNESS) SHALL BE RED PAINTED.



REV.	DATE	SIGN	SIGN	SIGN	SUBJECT OF REVISION
REVISION		DRAWN	CHECKED	APPROVED	

TITLE: **SKETCH FOR RCC ROUTE MARKER**

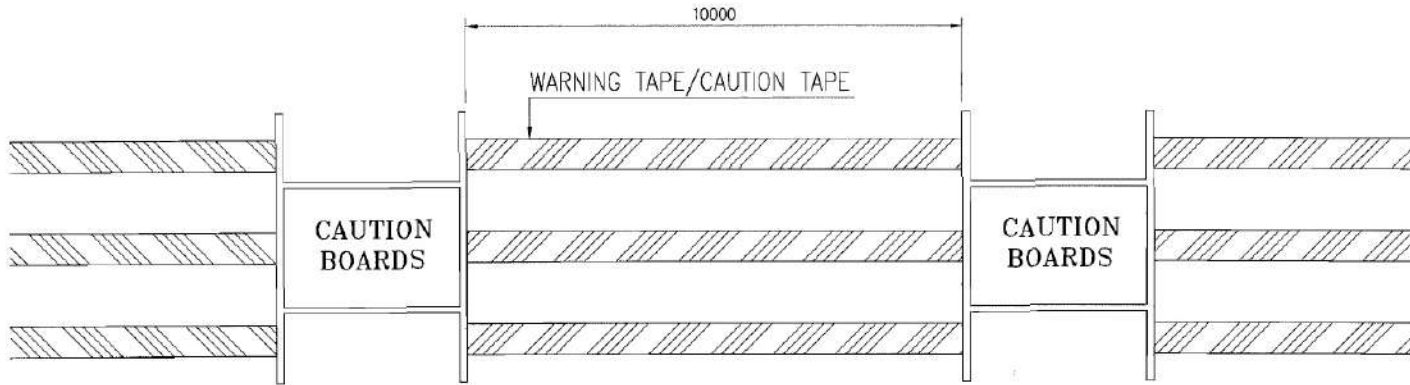
CLIENT: **CENTRAL UP GAS LIMITED**

PROJECT: **CGD EXPANSION PROJECT IN KANPUR & BAREILLY** PROJECT NO. _____

SIZE : A3 | SCALE : NTS | SHEET : -
DRAWING NUMBER _____

NOTES

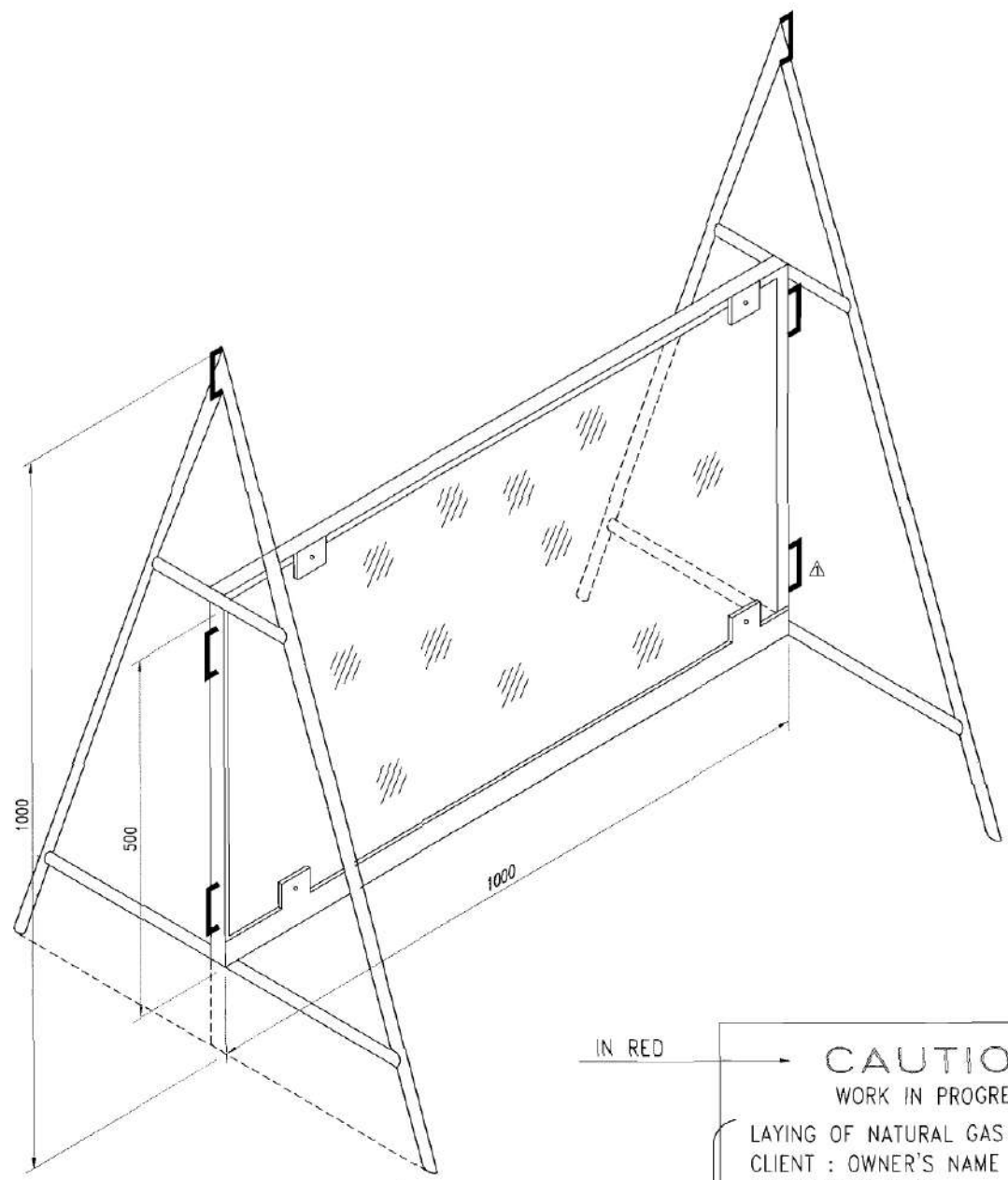
- 1 ALL DIMENSIONS ARE IN MM UNLESS NOTED OTHERWISE.
- 2 FOR DETAILS OF CAUTION BOARDS REFER DRAWING



SCHEMATIC LAYOUT OF CAUTION BOARDS AND BARRICADING

REV.	DATE	SIGN	SIGN	SIGN	SUBJECT OF REVISION
REVISION	DRAWN	CHECKED	APPROVED		
TITLE: BARRICADING					
			SIZE : A3	SCALE : NTS	SHEET: 1 OF 1
DRAWING NUMBER					

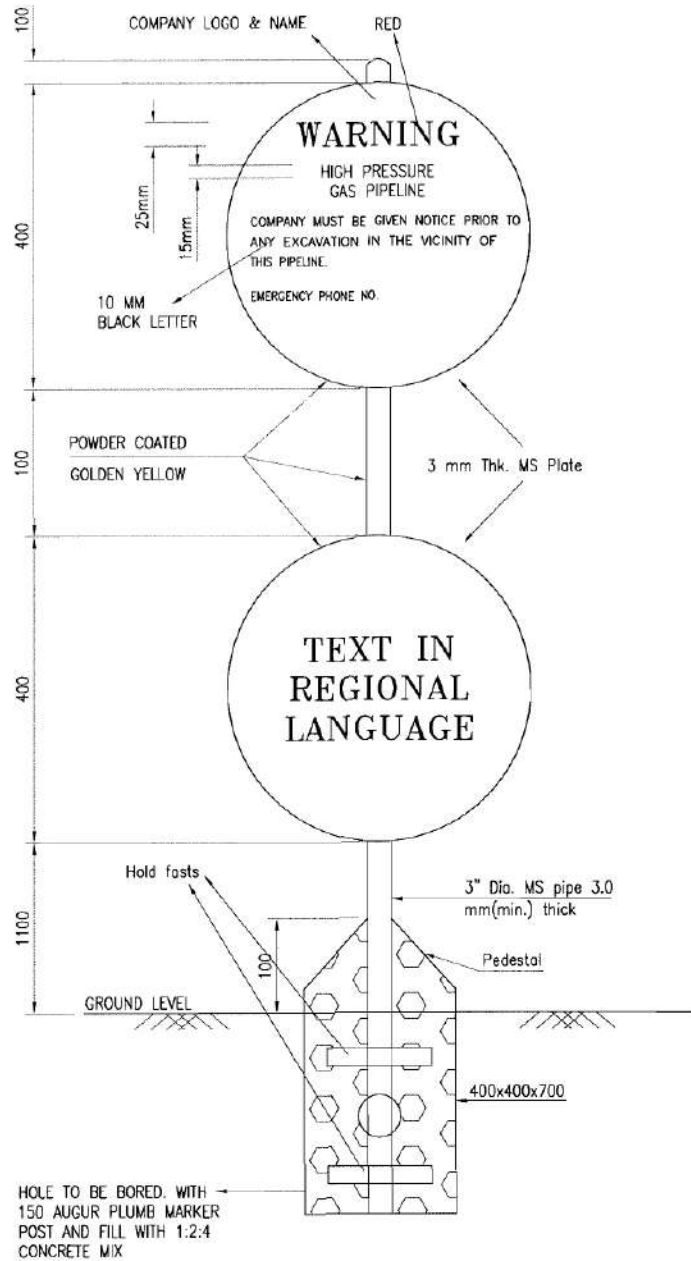
1 ALL DIMENSIONS ARE IN MM UNLESS NOTED OTHERWISE.



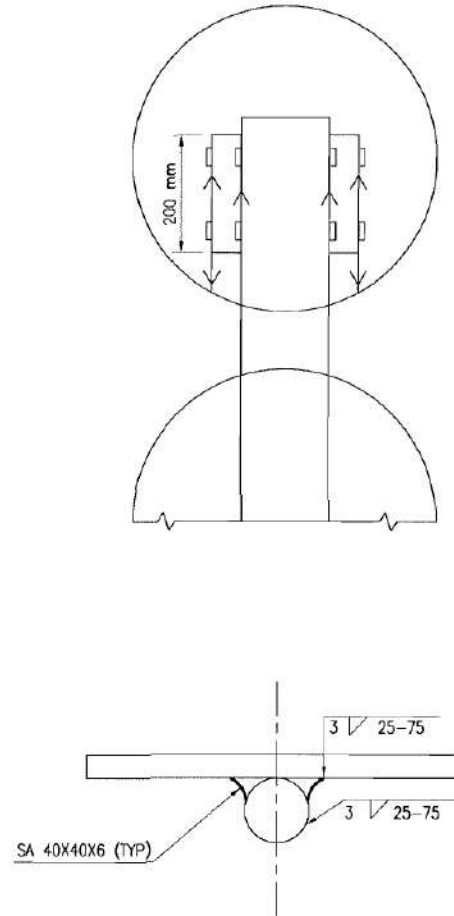
IN RED → CAUTION ← CLIENT'S LOGO
 WORK IN PROGRESS

IN BLACK {
 LAYING OF NATURAL GAS PIPELINE
 CLIENT : OWNER'S NAME
 CONTRACTOR NAME :
 DATE OF COMMENCEMENT :
 DATE OF COMPLETION :
 EMERGENCY PHONE NOS :

REV.	DATE	SIGN	SIGN	SIGN	SUBJECT OF REVISION
REVISION	DRAWN	CHECKED	APPROVED		
TITLE: CAUTION BOARD					
SIZE : A3		SCALE : NTS		SHEET: 1 OF 1	
DRAWING NUMBER					



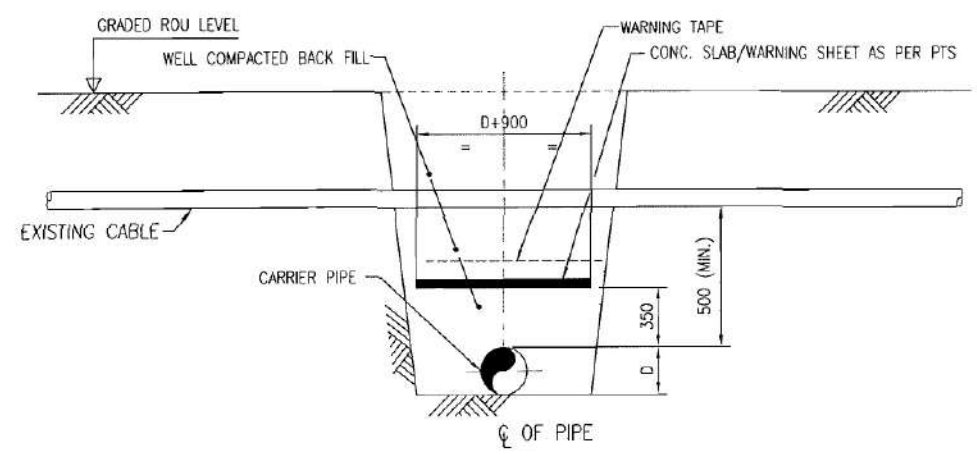
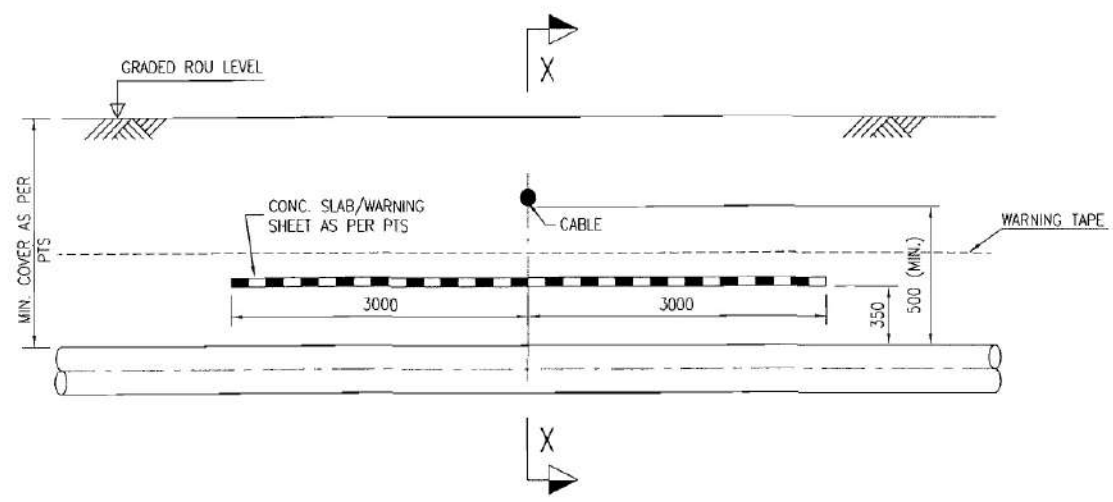
FIXING DETAILS



- 1 THE FULL WORKING AND SIZES ARE ONLY INDICATIVE AND ARE SUBJECT TO THE APPROVAL BY OWNER/OWNER'S REPRESENTATIVE BEFORE FABRICATION.
- 2 SCHEME FOR POWDER COATING AND COLOURING. ONE COAT OF PRIMER & TWO COATS OF SPECIFIED PAINTS ALL LETTERS EXCEPT "WARNING" TO BE PAINTED BLACK
- 3 ALL DIMENSION ARE IN MM. UNLESS OTHERWISE SPECIFIED.
- 4 APPROVAL OF WARNING MARKER DESIGN SHALL BE OBTAINED BEFORE THE COMMENCEMENT OF WORK.

REV.	DATE	SIGN	SIGN	SIGN	SUBJECT OF REVISION
REVISION	DRAWN	CHECKED	APPROVED		
TITLE: POLE MARKER WITH FOUNDATION					
SIZE : A3 SCALE : NTS SHEET: 1 OF 1					
DRAWING NUMBER					

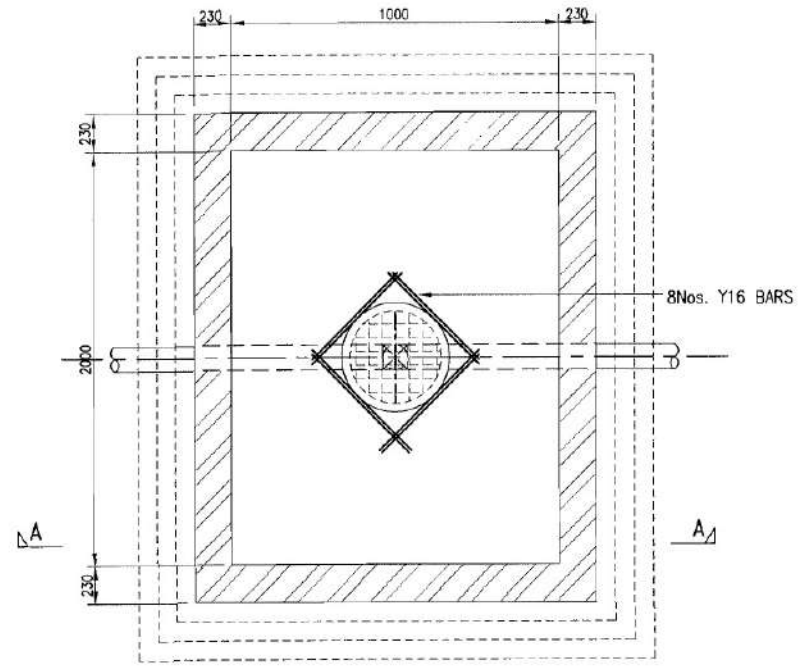
- 1 ALL DIMENSIONS ARE IN MM UNLESS NOTED OTHERWISE.
- 2 A MODIFIED PIPELINE WARNING SIGN SHALL BE INSTALLED CLOSE TO THE CROSSING.
- 3 IN CASE OF ARMoured OFC CABLE, C.P BONDING IS TO BE PROVIDED BETWEEN PIPELINE AND CABLE ARMOUR. IN CASE OF UNARMoured CABLE, ARRANGEMENT FOR SHIELDING (BY PROVIDING CASING ON EITHER SIDE OF THE PIPELINE OR CABLE) SHALL BE CONSIDERED.
- 4 APPROVAL OF THE CROSSING SHALL BE OBTAINED FROM CONCERNED AUTHORITIES.
- 5 FOR CONCRETE SLAB, REFER STD. DRG.
- 6 APPROVAL OF WARNING MARKER DESIGN SHALL BE OBTAINED BEFORE THE COMMENCEMENT OF WORK.



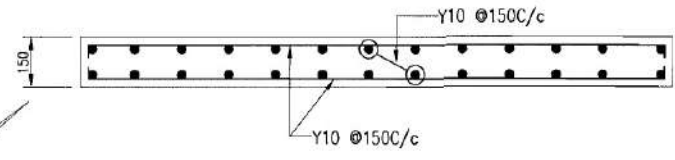
SECTION X-X

REV.	DATE	SIGN	SIGN	SIGN	SUBJECT OF REVISION
REVISION	DRAWN	CHECKED	APPROVED		
TITLE: TYPICAL UNDERGROUND CABLE CROSSING DETAILS					
SIZE : A3		SCALE : NTS	SHEET: 1 OF 1		
DRAWING NUMBER					

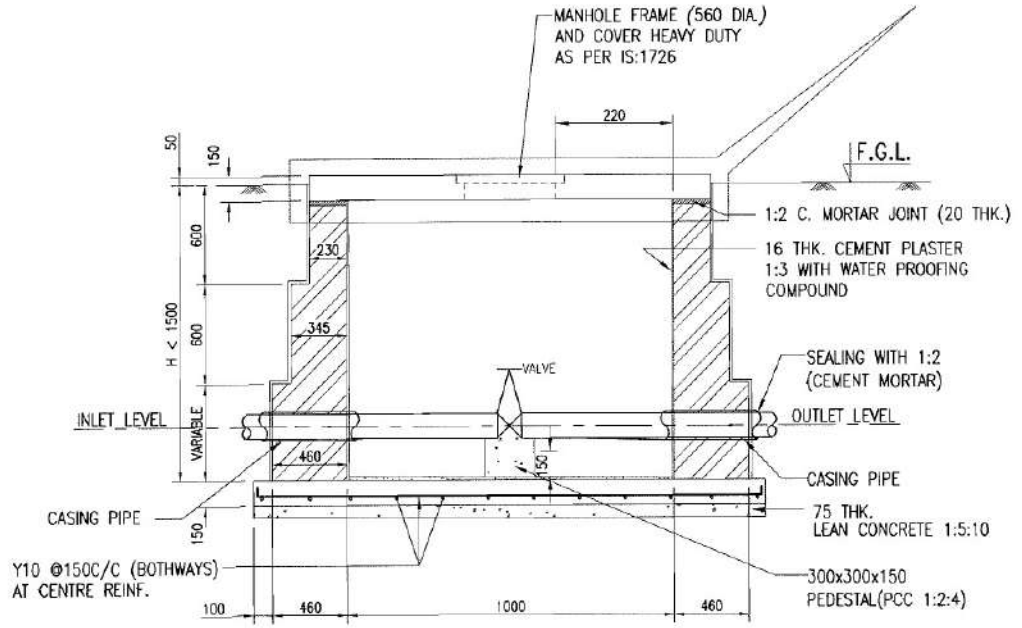
- 1 ALL DIMENSIONS ARE IN MILLIMETERS UNLESS NOTED OTHERWISE.
- 2 FOLLOW WRITTEN DIMENSIONS ONLY. DO NOT SCALE THE DIMENSIONS.
- 3 CLEAR COVER TO MAIN REINFORCEMENT SHALL BE: (a) SLAB = 20mm
- 4 GRADE OF CONCRETE SHALL BE M-25.
- 5 REINFORCEMENT SHALL BE OF HYSD (GRADE Fe 415) CONFORMING TO IS:1786.



VALVE PIT PLAN



TYPICAL SLAB R/F DETAIL



SECTION A-A

STATUS

REV.	DATE	SIGN	SIGN	SIGN	SUBJECT OF REVISION
REVISION	DRAWN	CHECKED	APPROVED		

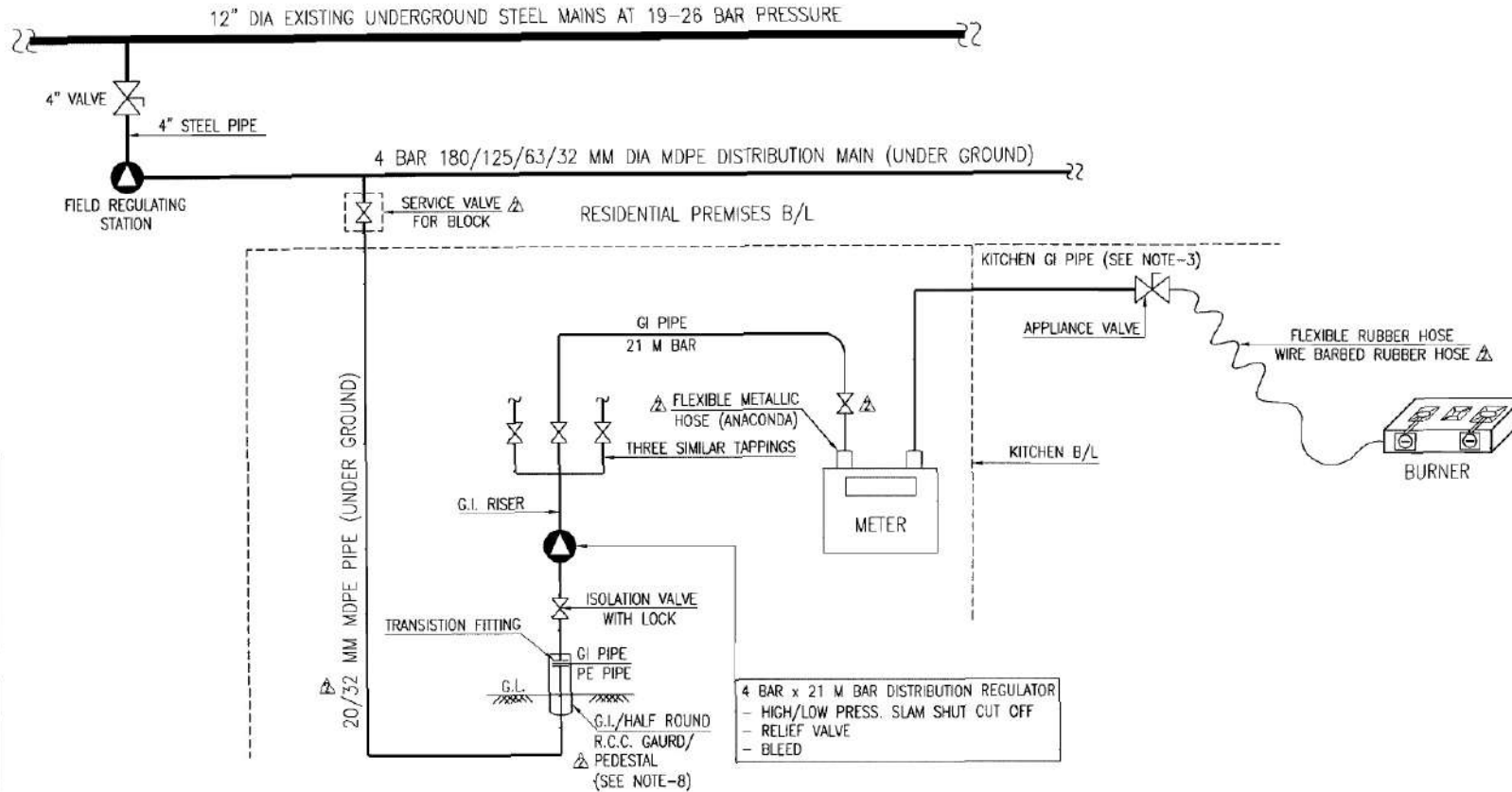
TITLE: STANDARD DETAILS OF BRICK VALVE CHAMBER (TYPE-1)

CLIENT:

PROJECT: PROJECT NO.

SIZE : A4 SCALE : NTS SHEET : 1 of 1
DRAWING NUMBER

SCHEMATIC DIAGRAM FOR DOMESTIC CONSUMER CONNECTION



NOTES

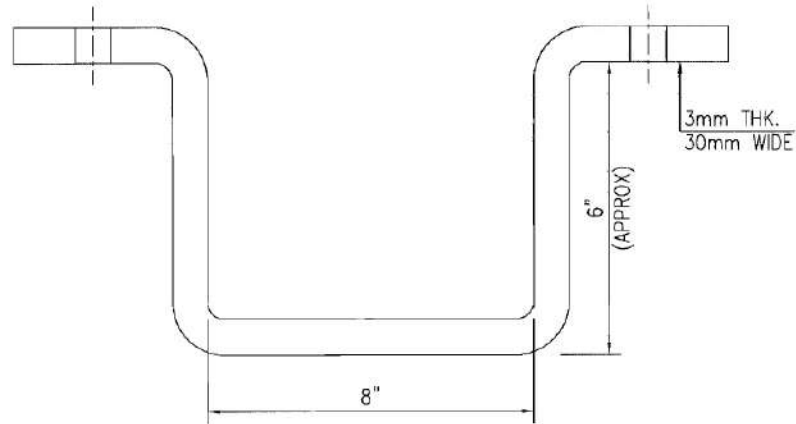
- 1 ALL DIMENSIONS ARE IN MM UNLESS NOTED OTHERWISE
- 2 THE SIZES SHOWN IN THE DRAWING ARE TENTATIVE.IT SHALL BE DECIDED DURING DETAIL ENGINEERING.
- 3 PIPING DOWN STREAM METER SHALL BE OF COPPER IN CASE METER IS INSTALLED WITHIN THE KITCHEN.
- 4 TENTATIVE RISER LENGTH (FROM OUTLET OF TRANSITION FITTINGS TO INLET OF ISOLATION VALVE) SHALL BE 1.5m, ANY CHANGES IN RISER LENGTH SHALL BE AFTER APPROVAL FROM EIC.
- 5 G.I. INSTALLATION/METER INSTALLATION SHALL BE DECIDED BY OWNER/OWNER'S REPRESENTATIVE AS PER SITE CONDITIONS.
- 6 IF COPPER PIPE GOES TO THE APPLIANCE VALVE THEN BRASS FITTING SHALL BE USED AT THE OUTLET OF METER OR GI PIPE GOES TO THE APPLIANCE VALVE THEN GI FITTING SHALL BE USED AT THE OUTLET THE METER.
- 7 MAXIMUM DISTANCE BETWEEN CLAMPS SHALL BE 1.5M WHEN PIPE GOES IN THE STRAIGHT LENGTH, IF ANY TEE OR ANY FITTING LIES IN BETWEEN THE PIPE THEN CLAMP SHALL BE PLACED 150MM FAR AWAY FROM CENTER LINE OF FITTINGS AT EVERY SIDE. HOW EVER, THE SAME MAY BE CHANGED AS PER SITE CONDITIONS /AS DIRECTED BY EIC.
- 8 G.I./HALF ROUND R.C.C. GUARD INSTALLATION SHALL BE DECIDED BY OWNER/OWNER'S REPRESENTATIVE AS PER SITE CONDITIONS.

REV.	DATE	SIGN	SIGN	SIGN	SUBJECT OF REVISION
REVISION	DRAWN	CHECKED	APPROVED		

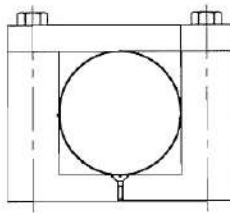
TITLE: **SCHEMATIC DIAGRAM FOR DOMESTIC CONSUMER CONNECTION**

SIZE : A3 SCALE : NTS SHEET: 1 OF 1
DRAWING NUMBER

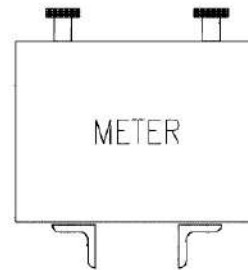
SKETCH OF METER, BRACKETS & CLAMPS



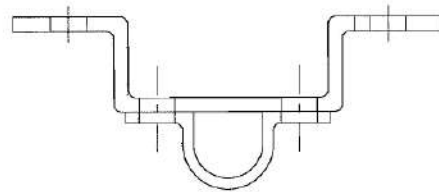
BRACKET FOR METERS (DOMESTIC)



PE/PVC CLAMPS FOR COPPER PIPE



ANGLE BRACKETS 50x50mm FOR NON DOMESTIC METERS



MS CLAMPS FOR GI PIPE

NOTES

- 1 ALL DIMENSIONS ARE IN MM UNLESS NOTED OTHERWISE
- 2 CLAMPS, REGULATOR BOX AND METER BRACKET ARE TO BE MADE AS PER DIRECTION AND APPROVAL OF EIC.
- 3 CLAMPS/ BOXES BRACKETS TO BE TIGHTLY SECURED TO THE WALL WITH PROPER ROWEL PLUGS, SCREWS ETC. WOODEN BLOCKS TO BE USED IN CASE ROWEL PLUGS DO NOT HOLD. PROPER THE AREA.
- 4 PAINTING WITH ONE COAT OF ZINC PRIMER AND THREE COATS OF SYNTHETIC ENAMEL PAINT OF REPUTED MAKE (ASIAN PAINT, BERGER, NEROLAC) TO BE USED.
- 5 CLAMPS ON PIPES TO BE FIXED AT MAXIMUM DISTANCE OF 1.5 METERS AND AT BENDS.

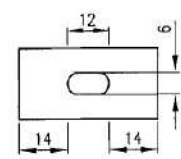
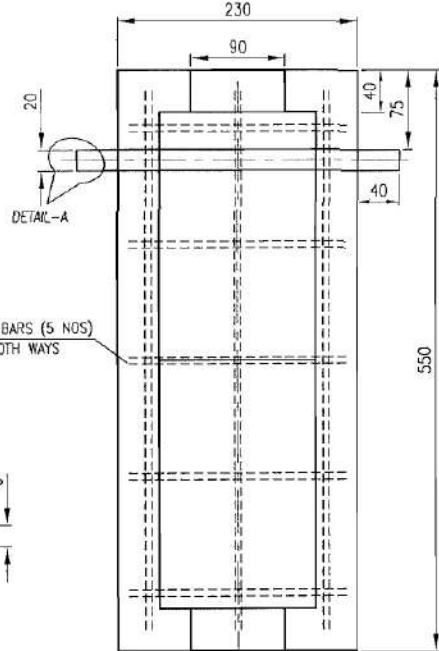
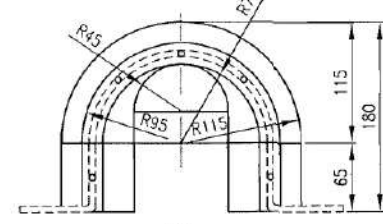
REV.	DATE	SIGN	SIGN	SIGN	SUBJECT OF REVISION
REVISION	DRAWN	CHECKED	APPROVED		

TITLE:
SKETCH OF METER, BRACKETS & CLAMPS

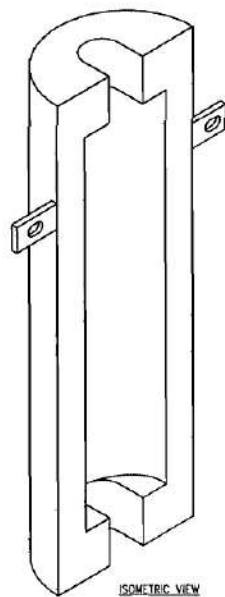
SIZE : A3 SCALE : NTS SHEET: 1 OF 1
 DRAWING NUMBER

NOTES

1. ALL DIMENSIONS ARE IN MM UNLESS NOTED OTHERWISE.
2. IT SHALL BE TAKEN APPROVAL FROM OWNER/OWNER'S REPRESENTATIVE BEFORE STARTING THE PROCUREMENT.
3. SIZES ARE SHOWN AS A TENTATIVE ONLY.

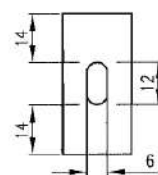
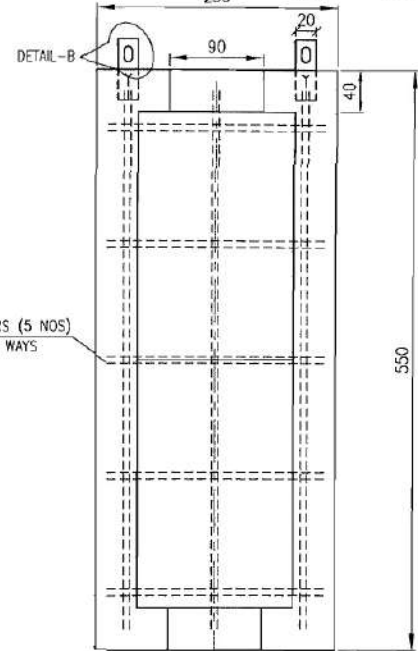
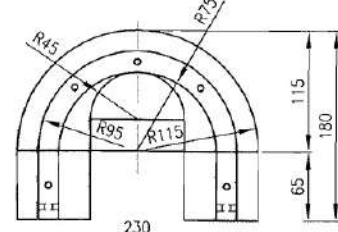


DETAIL A

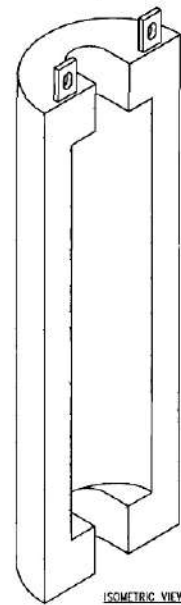


ISOMETRIC VIEW

TYPE-1



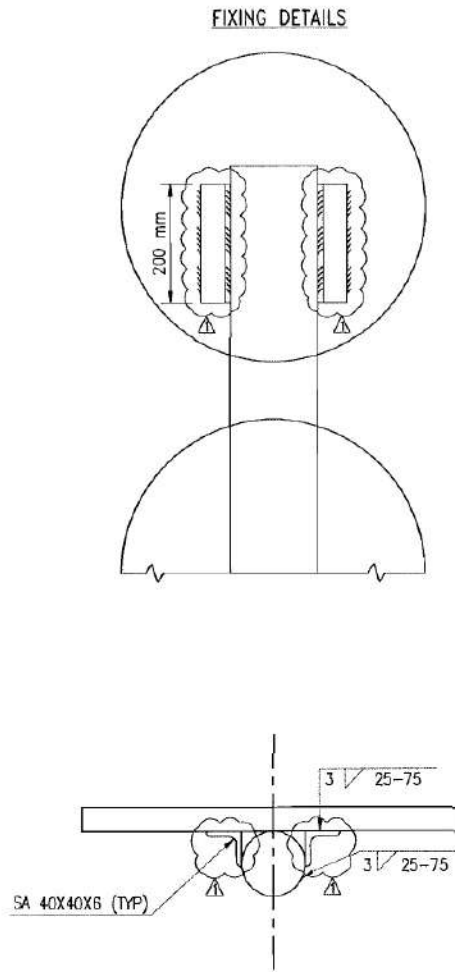
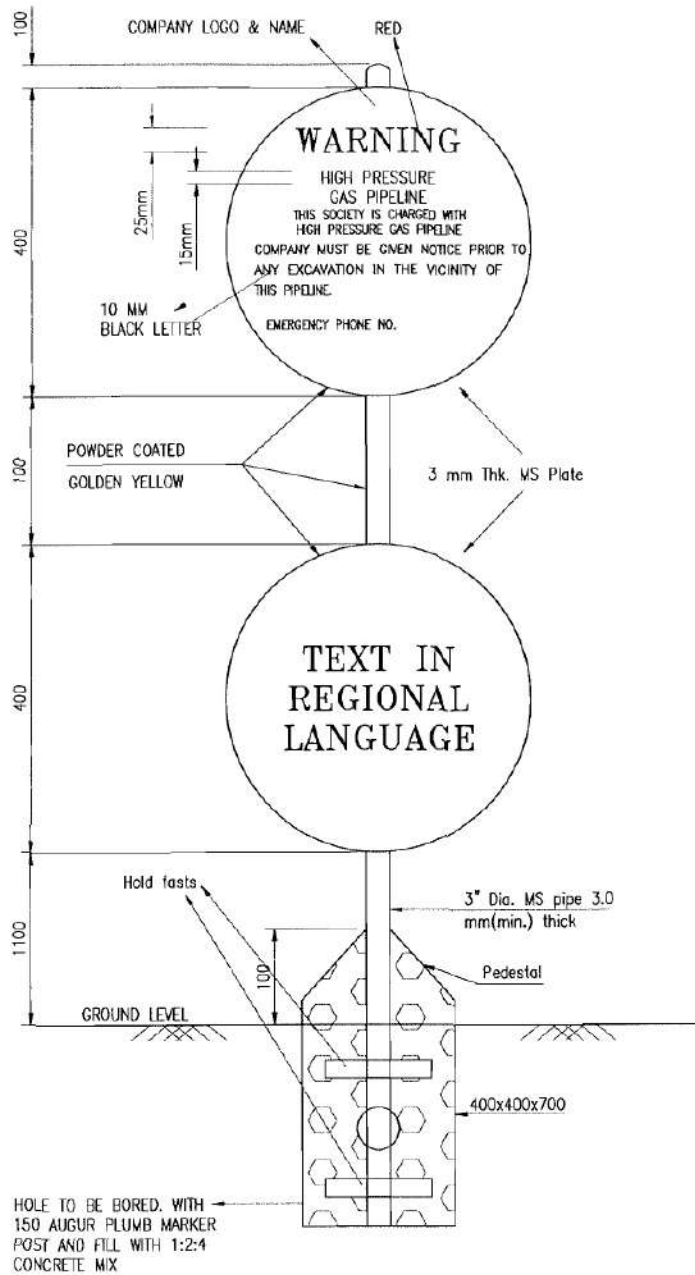
DETAIL B



ISOMETRIC VIEW

TYPE-2

REV.	DATE	SIGN	SIGN	SIGN	SUBJECT OF REVISION
REVISION	DRAWN	CHECKED	APPROVED		
TITLE:					
<p>HALF ROUND CONCRETE SLEEVE</p>					
SIZE : A3		SCALE : NTS		SHEET: 1 OF 1	
DRAWING NUMBER					

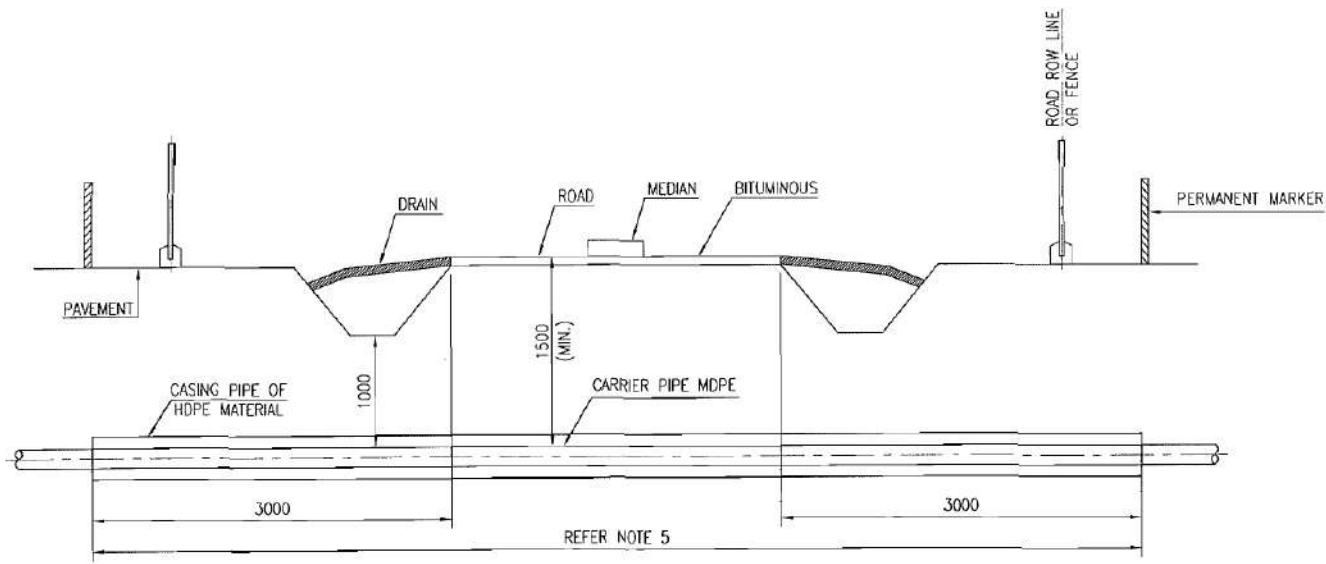


- NOTES
1. MARKING AND SIZES ARE ONLY INDICATIVE AND ARE SUBJECT TO THE APPROVAL BY OWNER/OWNER'S REPRESENTATIVE BEFORE FABRICATION.
 2. SCHEME FOR POWDER COATING AND COLOURING. ONE COAT OF PRIMER & TWO COATS OF SPECIFIED PAINTS. ALL LETTERS EXCEPT "WARNING" TO BE PAINTED BLACK.
 3. ALL DIMENSION ARE IN MM. UNLESS OTHERWISE SPECIFIED.
 4. APPROVAL OF WARNING MARKER DESIGN SHALL BE OBTAINED BEFORE THE COMMENCEMENT OF WORK.

REV.	DATE	SIGN	SIGN	SIGN	SUBJECT OF REVISION
REVISION	DRAWN	CHECKED	APPROVED		
TITLE: POLE MARKER WITH FOUNDATION (INDIVIDUAL SOCIETIES/AREAS)					
			SIZE : A3	SCALE : NTS	SHEET: 1 OF 1
DRAWING NUMBER					

NOTES

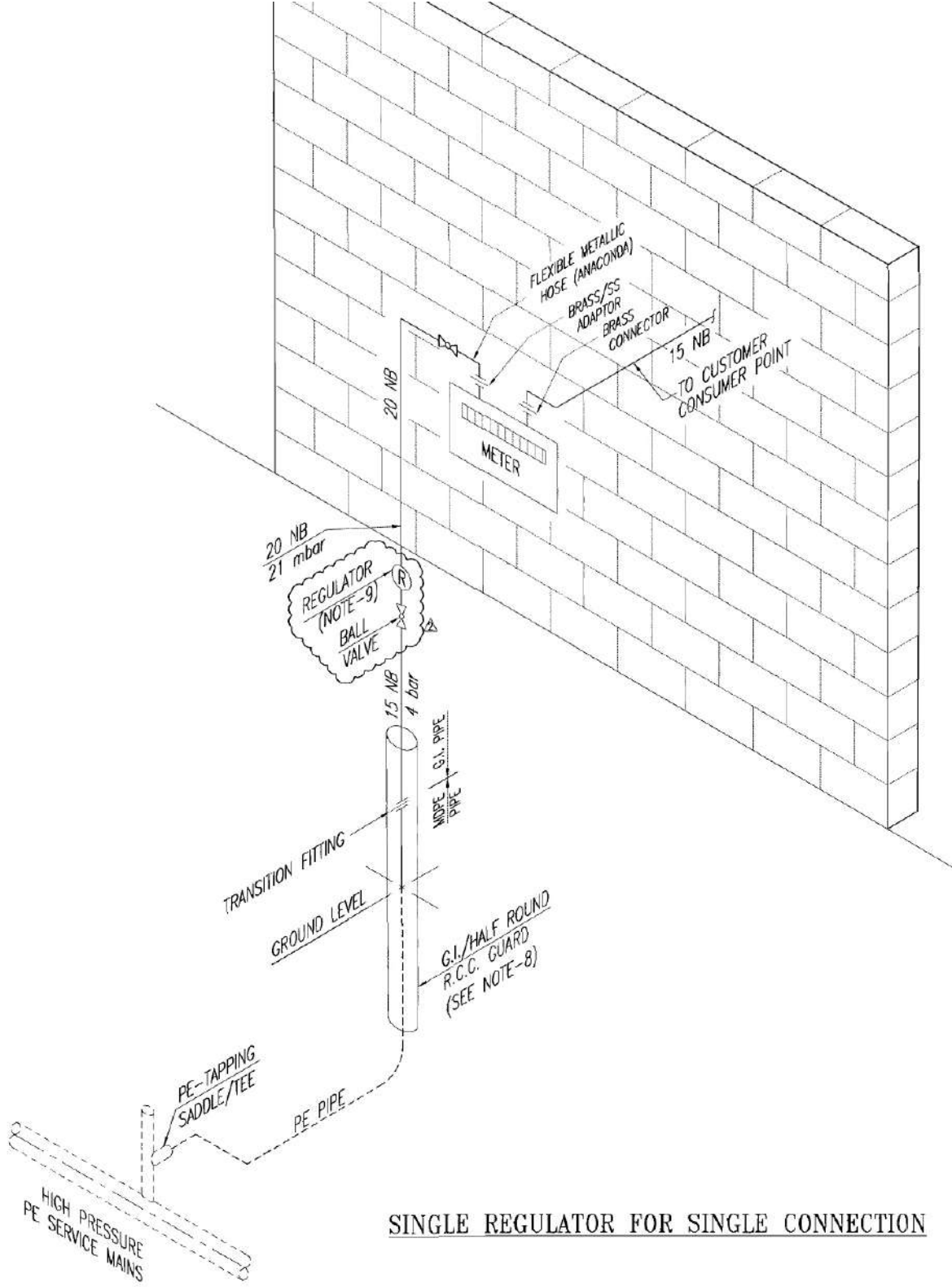
- 1 ALL DIMENSIONS ARE IN MM UNLESS OTHERWISE SPECIFIED.
- 2 ROAD HIGHWAY CROSSING SHALL BE RESTORED TO ORIGINAL CONDITION TO THE ENTIRE SATISFACTION OF OWNER AND CONCERNED AUTHOTITIES HAVING JURISDICTION.
- 3 REFER API RP 1102 FOR OTHER DESIGN AND INSTALLATION REQUIREMENTS.
- 4 ANGLE OF INTERSECTION BETWEEN PIPELINE AND THE ROAD/HIGHWAY SHALL BE AS CLOSE TO 90° AS POSSIBLE BUT IN CASE LESS THAN 30°.
- 5 CONTRACTOR SHALL VERIFY THE ACTUAL DIMENSION WITH RESPECT TO SURVEY DETAIL FOR EACH ROAD/HIGHWAY CROSSING AND PREPARE DETAILED DRAWING FOR INDIVIDUAL CROSSING ENGINEER-IN CHARGE APPROVAL BEFORE COMMENCEMENT OF CONSTRUCTION.
- 6 THE CASING PIPE SHALL BE OF SIZES MENTIONED AT CLAUSE NO.19 OF TECHNICAL SPECIFICATION FOR PE LAYING.



TYPICAL SECTION

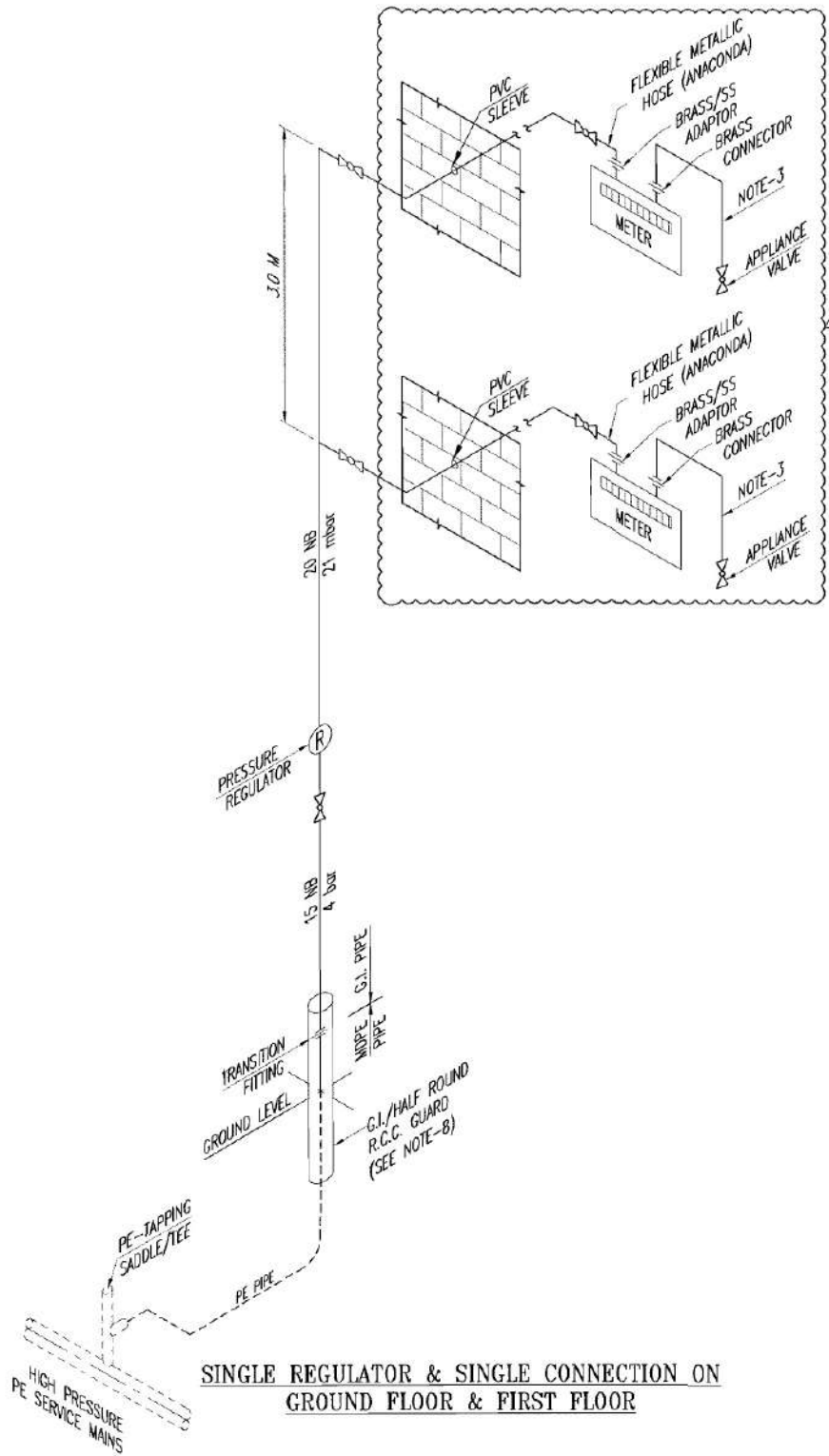
REV.	DATE	SIGN	SIGN	SIGN	SUBJECT OF REVISION
REVISION	DRAWN	CHECKED	APPROVED		
TITLE: ROAD/HIGHWAY CASSED CROSSING FOR MDPE PIPE					
SIZE : A3		SCALE : NTS		SHEET : 1 OF 1	
DRAWING NUMBER					

- 1 ALL DIMENSIONS ARE IN MM UNLESS NOTED OTHERWISE
- 2 THE SIZES SHOWN IN THE DRAWING ARE TENTATIVE. IT SHALL BE DECIDED DURING DETAIL ENGINEERING.
- 3 PIPING DOWN STREAM METER SHALL BE OF COPPER IN CASE METER IS INSTALLED WITHIN THE KITCHEN.
- 4 TENTATIVE RISER LENGTH (FROM OUTLET OF TRANSITION FITTINGS TO INLET OF ISOLATION VALVE) SHALL BE 1.5m, ANY CHANGES IN RISER LENGTH SHALL BE AFTER APPROVAL FROM EIC.
- 5 G.I. INSTALLATION/METER INSTALLATION SHALL BE DECIDED BY OWNER/OWNER'S REPRESENTATIVE AS PER SITE CONDITIONS.
- 6 IF COPPER PIPE GOES TO THE APPLIANCE VALVE THEN BRASS FITTING SHALL BE USED AT THE OUTLET OF METER OR IF GI PIPE GOES TO THE APPLIANCE VALVE THEN GI FITTING SHALL BE USED AT THE OUTLET OF THE METER.
- 7 MAXIMUM DISTANCE BETWEEN CLAMPS SHALL BE 1.5M WHEN PIPE GOES IN THE STRAIGHT LENGTH, IF ANY TEE OR ANY FITTING LIES IN BETWEEN THE PIPE THEN CLAMP SHALL BE PLACED 150MM FAR AWAY FROM CENTER LINE OF FITTINGS AT EVERY SIDE. HOW EVER, THE SAME MAY BE CHANGED AS PER SITE CONDITIONS/AS DIRECTED BY EIC.
- 8 G.I./HALF ROUND R.C.C. GUARD INSTALLATION SHALL BE DECIDED BY OWNER/OWNER'S REPRESENTATIVE AS PER SITE CONDITIONS.
- 9 REGULATOR TO BE FIXED NEAR THE METER AS PER INSTRUCTION OF CLIENT.



SINGLE REGULATOR FOR SINGLE CONNECTION

REVISION	DRAWN	CHECKED	APPROVED	SUBJECT OF REVISION
TITLE:				TYPICAL DOMESTIC CONNECTION LAYOUT OF NG DISTRIBUTION
SIZE : A3		SCALE : NTS	SHEET: 1 OF 5	
DRAWING NUMBER				



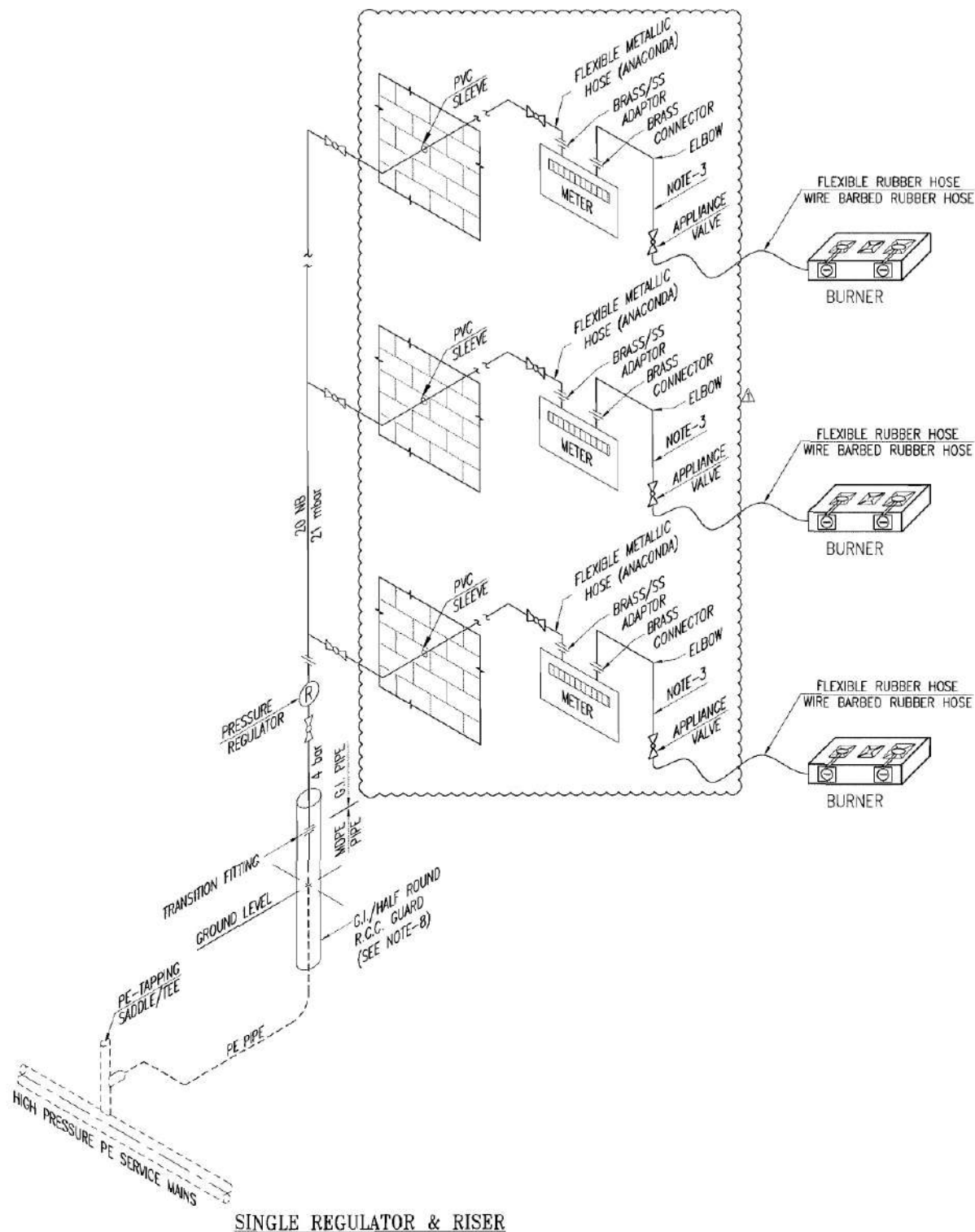
SINGLE REGULATOR & SINGLE CONNECTION ON GROUND FLOOR & FIRST FLOOR

NOTES

- 1 ALL DIMENSIONS ARE IN MM UNLESS NOTED OTHERWISE
- 2 THE SIZES SHOWN IN THE DRAWING ARE TENTATIVE.IT SHALL BE DECIDED DURING DETAIL ENGINEERING.
- 3 PIPING DOWN STREAM METER SHALL BE OF COPPER IN CASE METER IS INSTALLED WITHIN THE KITCHEN.
- 4 TENTATIVE RISER LENGTH (FROM OUTLET OF TRANSITION FITTINGS TO INLET OF ISOLATION VALVE) SHALL BE 1.5m, ANY CHANGES IN RISER LENGTH SHALL BE AFTER APPROVAL FROM EIC.
- 5 G.I. INSTALLATION/METER INSTALLATION SHALL BE DECIDED BY OWNER/OWNER'S REPRESENTATIVE AS PER SITE CONDITIONS.
- 6 IF COPPER PIPE GOES TO THE APPLIANCE VALVE THEN BRASS FITTING SHALL BE USED AT THE OUTLET OF METER OR IF GI PIPE GOES TO THE APPLIANCE VALVE THEN GI FITTING SHALL BE USED AT THE OUTLET OF THE METER.
- 7 MAXIMUM DISTANCE BETWEEN CLAMPS SHALL BE 1.5M WHEN PIPE GOES IN THE STRAIGHT LENGTH, IF ANY TEE OR ANY FITTING LIES IN BETWEEN THE PIPE THEN CLAMP SHALL BE PLACED 150MM FAR AWAY FROM CENTER LINE OF FITTINGS AT EVERY SIDE. HOW EVER, THE SAME MAY BE CHANGED AS PER SITE CONDITIONS/ AS DIRECTED BY EIC.
- ⚠ 8 G.I./HALF ROUND R.C.C. GUARD/ PEDESTAL INSTALLATION SHALL BE DECIDED BY OWNER/ OWNER'S REPRESENTATIVE AS PER SITE CONDITIONS.
- ⚠ 9 ADDITIONAL VALVES MUST BE PROVIDED AS PER INSTRUCTION CLIENT/ PMC.

REV.	DATE	SIGN	SIGN	SIGN	SUBJECT OF REVISION
REVISION	DRAWN	CHECKED	APPROVED		

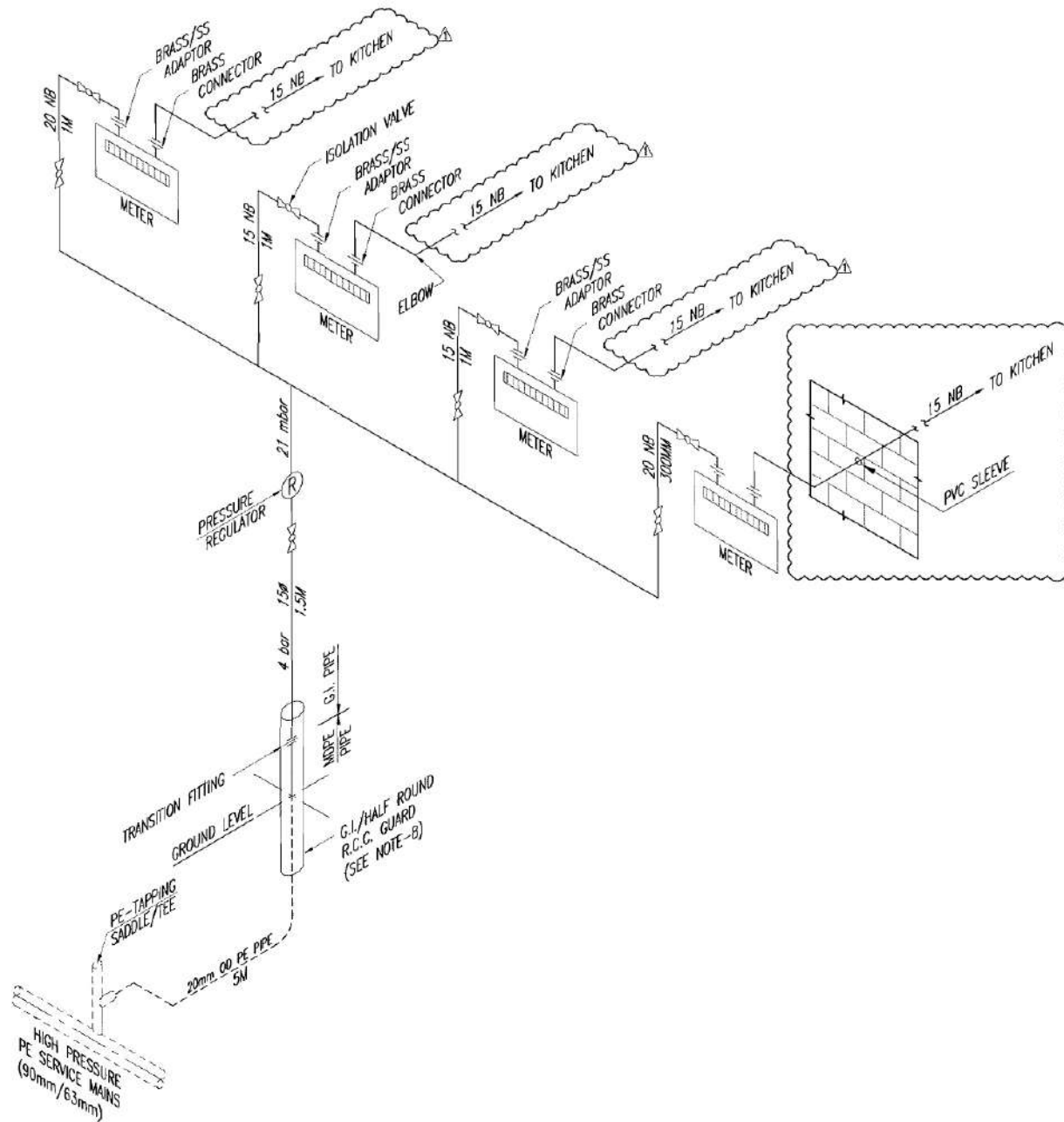
TITLE: **TYPICAL DOMESTIC CONNECTION LAYOUT OF NG DISTRIBUTION**



SINGLE REGULATOR & RISER

- 1 ALL DIMENSIONS ARE IN MM UNLESS NOTED OTHERWISE
- 2 THE SIZES SHOWN IN THE DRAWING ARE TENTATIVE.IT SHALL BE DECIDED DURING DETAIL ENGINEERING.
- 3 PIPING DOWN STREAM METER SHALL BE OF COPPER IN CASE METER IS INSTALLED WITHIN THE KITCHEN.
- 4 TENTATIVE RISER LENGTH (FROM OUTLET OF TRANSITION FITTINGS TO INLET OF ISOLATION VALVE) SHALL BE 1.5m, ANY CHANGES IN RISER LENGTH SHALL BE AFTER APPROVAL FROM EIC.
- 5 G.I. INSTALLATION/METER INSTALLATION SHALL BE DECIDED BY OWNER/OWNER'S REPRESENTATIVE AS PER SITE CONDITIONS.
- 6 IF COPPER PIPE GOES TO THE APPLIANCE VALVE THEN BRASS FITTING SHALL BE USED AT THE OUTLET OF METER OR IF GI PIPE GOES TO THE APPLIANCE VALVE THEN GI FITTING SHALL BE USED AT THE OUTLET OF THE METER.
- 7 MAXIMUM DISTANCE BETWEEN CLAMPS SHALL BE 1.5M WHEN PIPE GOES IN THE STRAIGHT LENGTH, IF ANY TEE OR ANY FITTING LIES IN BETWEEN THE PIPE THEN CLAMP SHALL BE PLACED 150MM FAR AWAY FROM CENTER LINE OF FITTINGS AT EVERY SIDE. HOW EVER, THE SAME MAY BE CHANGED AS PER SITE CONDITIONS /AS DIRECTED BY EIC.
- △ 8 G.I./HALF ROUND R.C.C./ PEDESTAL GUARD INSTALLATION SHALL BE DECIDED BY OWNER/OWNER'S REPRESENTATIVE AS PER SITE CONDITIONS.
- △ 9 ISOLATION VALVE SHOULD BE PROVIDED JUST AFTER TAPPING TEE.

REV.	DATE	SIGN	SIGN	SIGN	SUBJECT OF REVISION
REVISION	DRAWN	CHECKED	APPROVED		
TITLE: TYPICAL DOMESTIC CONNECTION LAYOUT OF NG DISTRIBUTION (RISER)					
			SIZE : A3	SCALE : NTS	SHEET: 3 OF 5
DRAWING NUMBER					



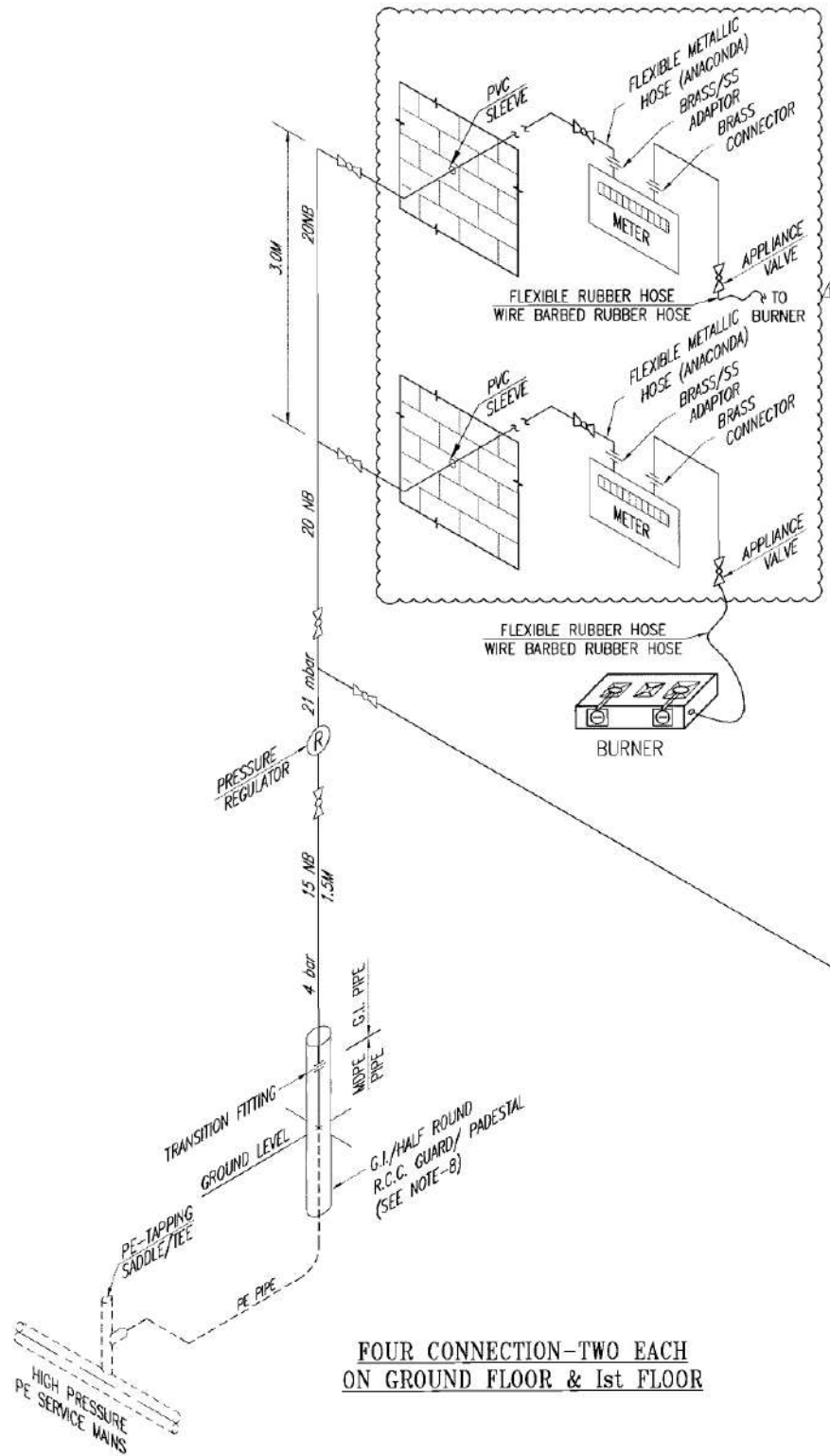
FOUR CONNECTION ON
GROUND FLOOR

NOTES

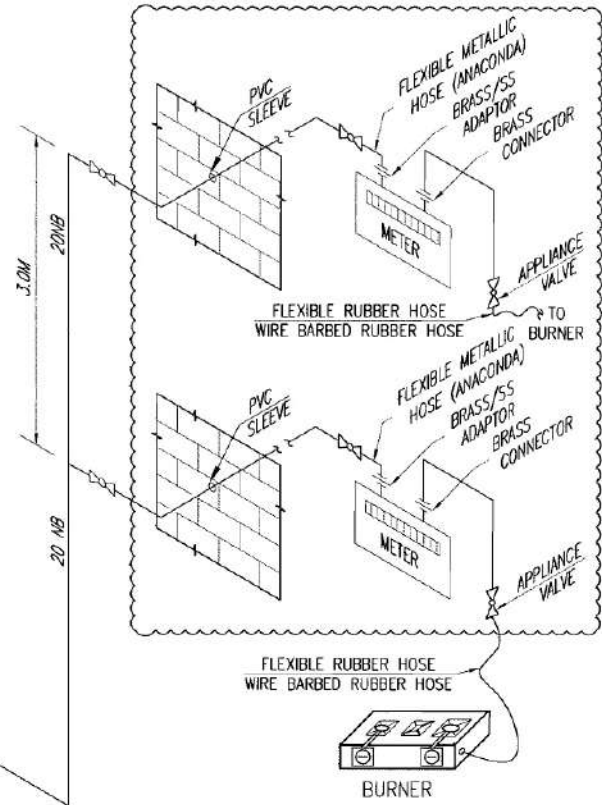
- 1 ALL DIMENSIONS ARE IN MM UNLESS NOTED OTHERWISE
- 2 THE SIZES SHOWN IN THE DRAWING ARE TENTATIVE. IT SHALL BE DECIDED DURING DETAIL ENGINEERING.
- 3 PIPING DOWN STREAM METER SHALL BE OF COPPER IN CASE METER IS INSTALLED WITHIN THE KITCHEN.
- 4 TENTATIVE RISER LENGTH (FROM OUTLET OF TRANSITION FITTINGS TO INLET OF ISOLATION VALVE) SHALL BE 1.5m, ANY CHANGES IN RISER LENGTH SHALL BE AFTER APPROVAL FROM EIC.
- 5 G.I. INSTALLATION/METER INSTALLATION SHALL BE DECIDED BY OWNER/OWNER'S REPRESENTATIVE AS PER SITE CONDITIONS.
- 6 IF COPPER PIPE GOES TO THE APPLIANCE VALVE THEN BRASS FITTING SHALL BE USED AT THE OUTLET OF METER OR IF GI PIPE GOES TO THE APPLIANCE VALVE THEN GI FITTING SHALL BE USED AT THE OUTLET OF THE METER.
- 7 MAXIMUM DISTANCE BETWEEN CLAMPS SHALL BE 1.5M WHEN PIPE GOES IN THE STRAIGHT LENGTH, IF ANY TEE OR ANY FITTING LIES IN BETWEEN THE PIPE THEN CLAMP SHALL BE PLACED 150MM FAR AWAY FROM CENTER LINE OF FITTINGS AT EVERY SIDE. HOW EVER, THE SAME MAY BE CHANGED AS PER SITE CONDITIONS/ AS DIRECTED BY EIC.
- 8 G.I./HALF ROUND R.C.C. GUARD INSTALLATION SHALL BE DECIDED BY OWNER/OWNER'S REPRESENTATIVE AS PER SITE CONDITIONS.
- 9 ADDITIONAL VALVE SHOULD BE PROVIDED AS PER INSTRUCTION OF EIC.

REV.	DATE	SIGN	SIGN	SIGN	SUBJECT OF REVISION
REVISION	DRAWN	CHECKED	APPROVED		

TITLE: TYPICAL DOMESTIC CONNECTION LAYOUT OF NG DISTRIBUTION



FOUR CONNECTION-TWO EACH ON GROUND FLOOR & 1st FLOOR



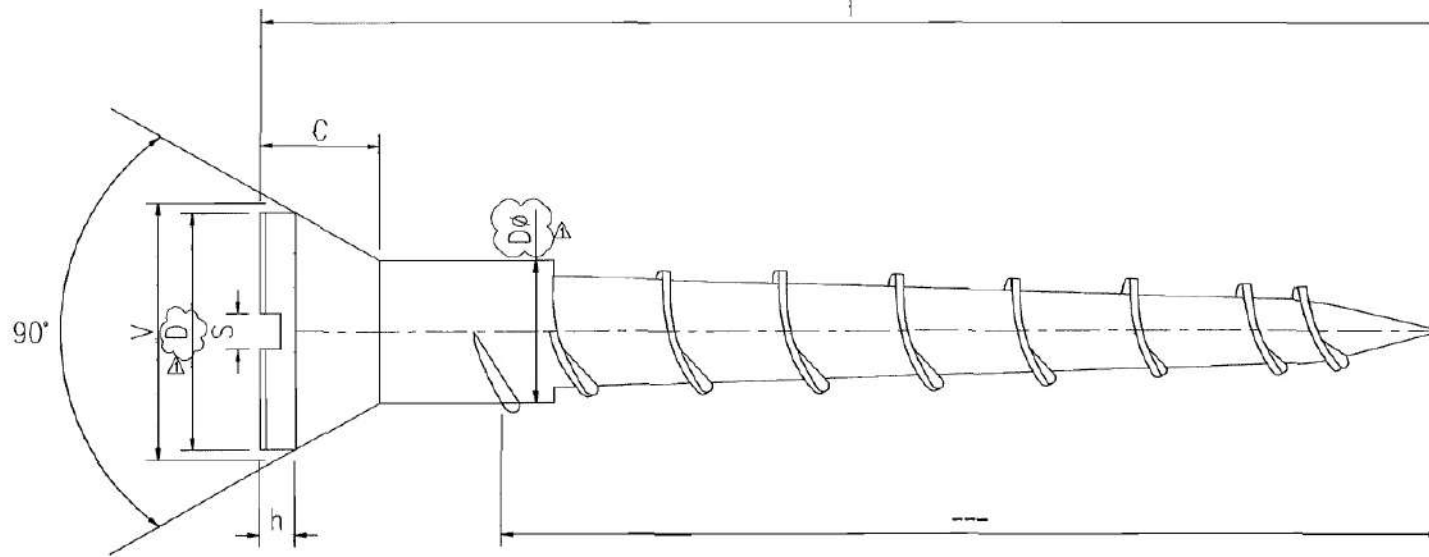
- 1 ALL DIMENSIONS ARE IN MM UNLESS OTHERWISE SPECIFIED.
- 2 THE SIZES SHOWN IN THE DRAWING ARE TENTATIVE. IT SHALL BE DECIDED DURING DETAIL ENGINEERING.
- 3 PIPING DOWN STREAM METER SHALL BE OF COPPER IN CASE METER IS INSTALLED WITHIN THE KITCHEN.
- 4 TENTATIVE RISER LENGTH (FROM OUTLET OF TRANSITION FITTINGS TO INLET OF ISOLATION VALVE) SHALL BE 1.5m, ANY CHANGES IN RISER LENGTH SHALL BE AFTER APPROVAL FROM EIC.
- 5 G.I. INSTALLATION/METER INSTALLATION SHALL BE DECIDED BY OWNER/OWNER'S REPRESENTATIVE AS PER SITE CONDITIONS.
- 6 IF COPPER PIPE IS USED TO CONNECT THE APPLIANCE VALVE THEN BRASS FITTING SHALL BE USED AT THE OUTLET OF METER OR IF GI PIPE IS USED TO CONNECT THE APPLIANCE VALVE THEN GI FITTING SHALL BE USED AT THE OUTLET OF THE METER.
- 7 MAXIMUM DISTANCE BETWEEN CLAMPS SHALL BE 1.5M WHEN PIPE GOES IN THE STRAIGHT LENGTH, IF ANY TEE OR ANY FITTING LIES IN BETWEEN THE PIPE THEN CLAMP SHALL BE PLACED 150MM FAR AWAY FROM CENTER LINE OF FITTINGS AT EVERY SIDE. HOW EVER, THE SAME MAY BE CHANGED AS PER SITE CONDITIONS/ AS DIRECTED BY EIC.
- 8 G.I./ HALF ROUND R.C.C./ PEDESTAL GUARD INSTALLATION SHALL BE DECIDED BY OWNER/ OWNER'S REPRESENTATIVE AS PER SITE CONDITIONS.
- 9 ADDITIONAL VALVE TO BE PROVIDED OUTSIDE HOUSE AS PER INSTRUCTION OF EIC.

REV.	DATE	SIGN	SIGN	SIGN	SUBJECT OF REVISION
REVISION		DRAWN	CHECKED	APPROVED	

TITLE: **TYPICAL DOMESTIC CONNECTION LAYOUT OF NG DISTRIBUTION**

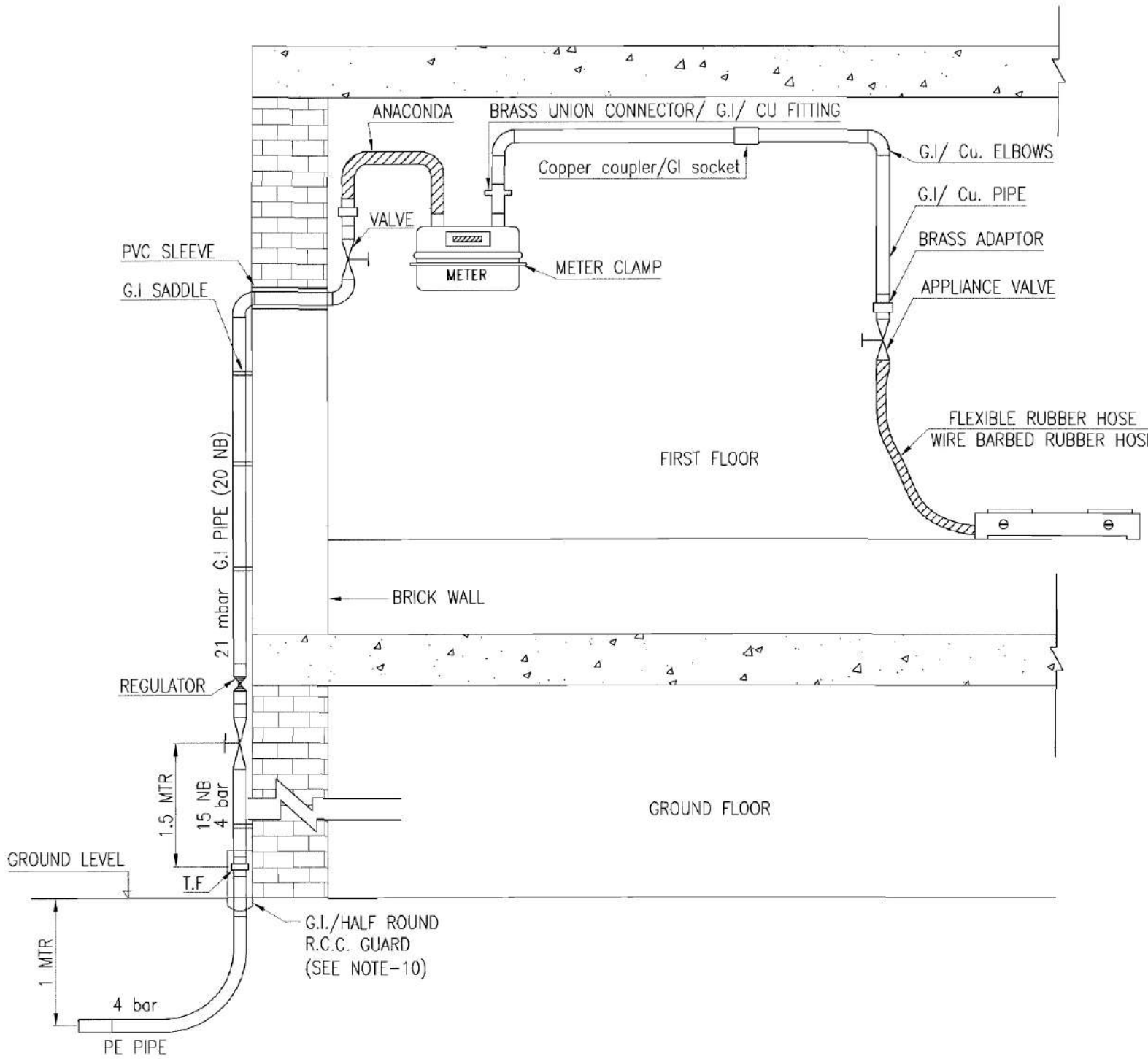
NOTES

- 1 THE DIMENSIONS FOR 'V' ARE THEORETICAL DIAMETER OF HEAD TO SHARP CORNERS & ARE GIVEN FOR DESIGN PURPOSE ONLY.
- 2 DIMENSIONS TOLERANCES WILL BE AS SPECIFIED IN IS : 6760-1972.
- 3 ALL DIMENSIONS ARE IN MILLIMETERS.



SCREW NO.	Dø			PITCH	V	D		c		s		h		l
	NON.	MAX.	MIN.			MAX.	MIN.	MAX.	MIN.	MAX.	MIN.			
7	3.81	3.94	3.68	1.50	8.2	7.62	7.34	2.18	1.27	1.11	1.14	0.84	35	

REV.	DATE	SIGN.	SIGN.	SIGN.	SUBJECT OF REVISION
REVISION	DRAWN	CHECKED	APPROVED		
TITLE: SPECIFICATION FOR WOOD SCREWS.					
SIZE : A3		SCALE : NTS	SHEET: 1 OF 1		
DRAWING NUMBER					

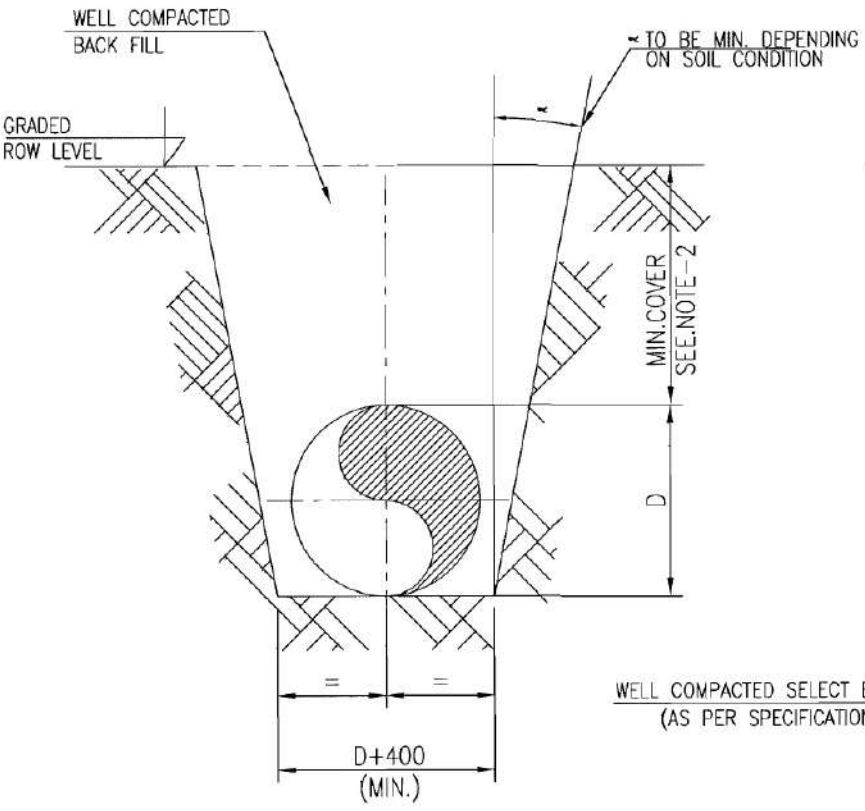


NOTES

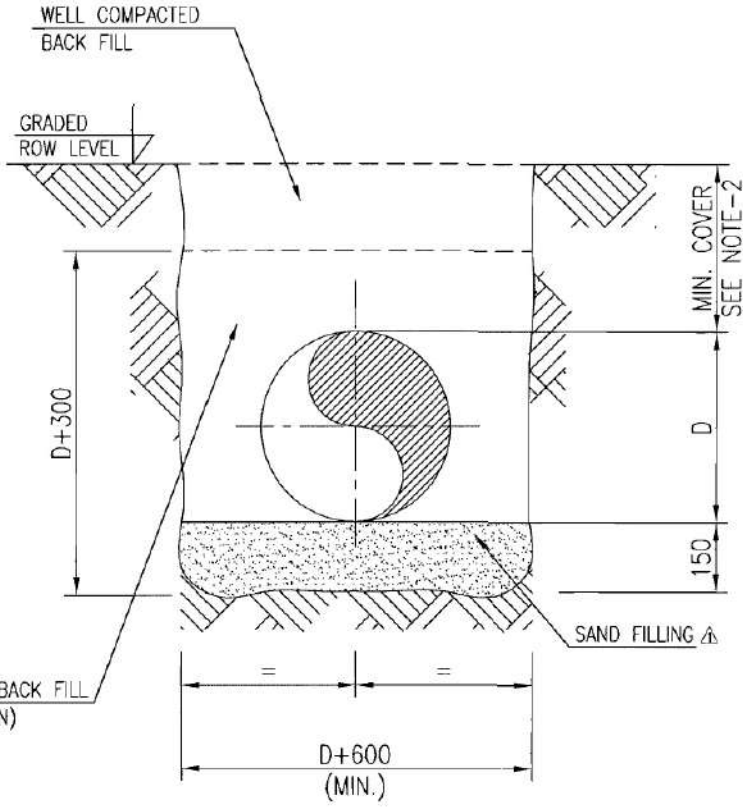
- 1 ALL DIMENSIONS ARE IN MM UNLESS NOTED OTHERWISE
- 2 THE SIZES SHOWN IN THE DRAWING ARE TENTATIVE.IT SHALL BE DECIDED DURING DETAIL ENGINEERING.
- 3 PIPING DOWN STREAM METER SHALL BE OF COPPER IN CASE METER IS INSTALLED WITHIN THE KITCHEN.
- 4 TENTATIVE RISER LENGTH (FROM OUTLET OF TRANSITION FITTINGS TO INLET OF ISOLATION VALVE) SHALL BE 1.5m, ANY CHANGES IN RISER LENGTH SHALL BE AFTER APPROVAL FROM EIC.
- 5 G.I. INSTALLATION/METER INSTALLATION SHALL BE DECIDED BY OWNER/OWNER'S REPRESENTATIVE AS PER SITE CONDITIONS.
- 6 IF COPPER PIPE GOES TO THE APPLIANCE VALVE THEN BRASS FITTING SHALL BE USED AT THE OUTLET OF METER OR IF GI PIPE GOES TO THE APPLIANCE VALVE THEN GI FITTING SHALL BE USED AT THE OUTLET OF THE METER.
- 7 MAXIMUM DISTANCE BETWEEN CLAMPS SHALL BE 1.5M WHEN PIPE GOES IN THE STRAIGHT LENGTH, IF ANY TEE OR ANY FITTING LIES IN BETWEEN THE PIPE THEN CLAMP SHALL BE PLACED 150MM FAR AWAY FROM CENTER LINE OF FITTINGS AT EVERY SIDE. HOW EVER, THE SAME MAY BE CHANGED AS PER SITE CONDITIONS /AS DIRECTED BY EIC.
- 8 METER CLAMP SHALL BE APPROVED FROM OWNER/OWNER'S REPRESENTATIVE.
- 9 G.I./HALF ROUND R.C.C. GUARD INSTALLATION SHALL BE DECIDED BY OWNER/OWNER'S REPRESENTATIVE AS PER SITE CONDITIONS.

REV.	DATE	SIGN	SIGN	SIGN	SUBJECT OF REVISION
REVISION	DRAWN	CHECKED	APPROVED		
TITLE: TYPICAL NATURAL GAS INSTALLATION INSIDE KITCHEN					
SIZE : A3			SCALE : NTS	SHEET: 1 OF 1	
DRAWING NUMBER					

- 1 ALL DIMENSIONS ARE IN MILLIMETERS.
- 2 FOR ALL PIPELINE TO BE CONSTRUCTED IN THE LAND UNDER JURISDICTION OF GOVT. OF INDIA THE MIN. COVER TO BE ADOPTED SHALL BE 1000 MM IN ACCRDANCE WITH GOVT. OF INDIA PETROLEUM PIPELINE (AQISITION OF RIGHT OF USER IN LAND) ACT NO. 50, 1962 AND AMENDMENT ACT NO. 13 OF 1977. ANY EXTRA COVER REQUIREMENT SHALL BE IN ACCORDANCE WITH SPECIFICATIONS.
- 3 MIN. COVER REQUIREMENT SHALL BE SUBJECTED TO APPROVAL OF CONCERNED AUTHORITIES WHEREVER REQUIRED.
- 4 EXTRA COVER REQUIREMENT SHALL BE ESTABLISHED AT ALL OVER BENDS AND HORIZONTAL BENDS WHEREVER NECESSARY.
- 5 FOR MIN. COVER REQUIREMENT AT PIPELINE CROSSING ROADS, RAILWAY TRACKS, RIVERS MARSHY AREAS ETC REFER RELEVANT STANDARDS.



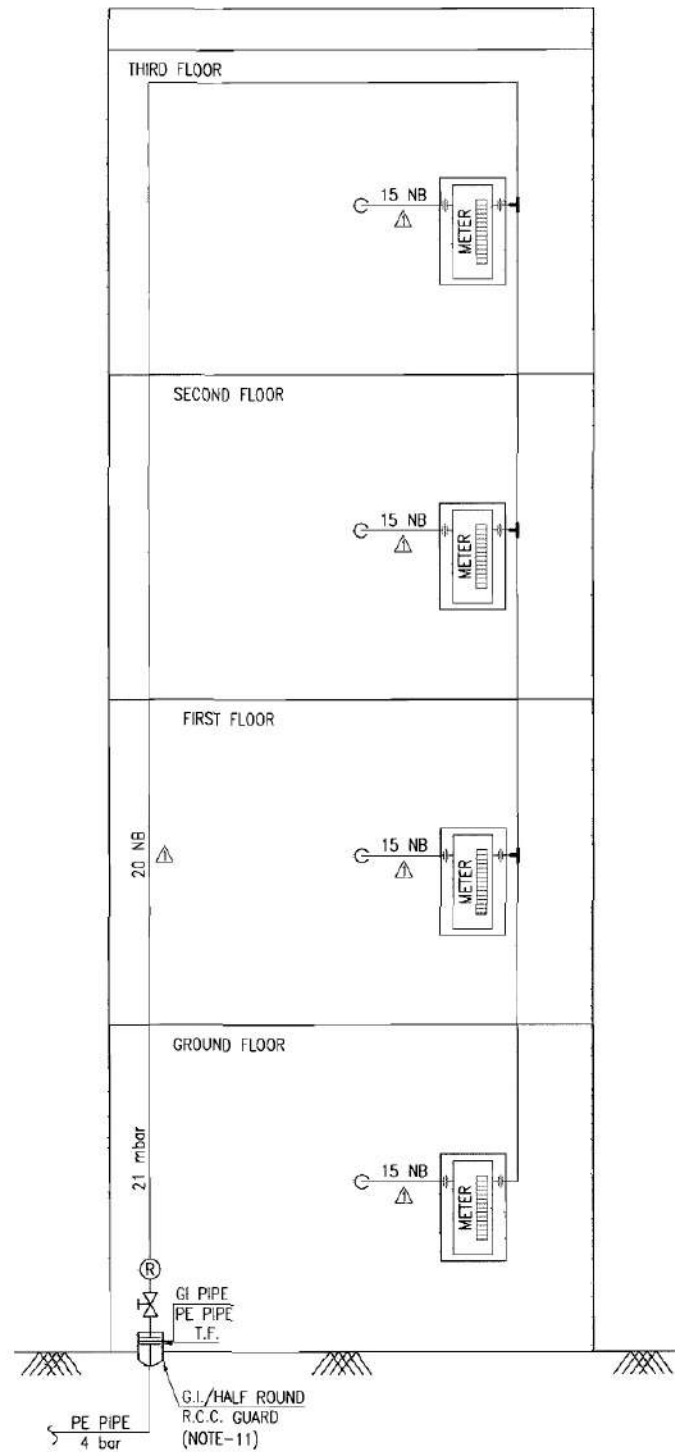
TRENCH IN NORMAL SOIL
TYPICAL SECTION



TRENCH IN CONSOLIDATED ROCK
TYPICAL SECTION

REV.	DATE	SIGN	SIGN	SIGN	SUBJECT OF REVISION
REVISION		DRAWN	CHECKED	APPROVED	

TITLE: **TYPICAL TRENCH DIMENSIONS FOR PIPE LINE**



NOTES

- 1 ALL DIMENSIONS ARE IN MM UNLESS NOTED OTHERWISE
- 2 THE SIZES SHOWN IN THE DRAWING ARE TENTATIVE.IT SHALL BE DECIDED DURING DETAIL ENGINEERING.
- 3 PIPING DOWN STREAM METER SHALL BE OF COPPER IN CASE METER IS INSTALLED WITHIN THE KITCHEN.
- 4 RISER LENGTH (FROM OUTLET OF TRANSITION FITTINGS TO INLET OF ISOLATION VALVE) SHALL BE 1.5m, HOWEVER IT SHALL BE TAKEN APPROVAL FROM OWNER BEFORE STARTING THE EXECUTION.
- 5 IT SHALL BE DECIDED BY OWNER/OWNER'S REPRESENTATIVE AS PER SITE CONDITIONS.
- 6 IF COPPER PIPE GOES TO THE APPLIANCE VALVE THEN BRASS FITTING SHALL BE USED AT THE OUTLET OF METER OR IF GI PIPE GOES TO THE APPLIANCE VALVE THEN GI FITTING SHALL BE USED AT THE OUTLET OF THE METER.
- 7 TAPPING SHALL BE LEFT NEAR THE OUTSIDE KITCHEN AS DIRECTED BY OWNER/OWNER'S REPRESENTATIVE.
- 8 MAXIMUM DISTANCE BETWEEN CLAMPS SHALL BE 1.5M WHEN PIPE GOES IN THE STRAIGHT LENGTH, IF ANY TEE OR ANY FITTING LIES IN BETWEEN THE PIPE THEN CLAMP SHALL BE PLACED 150MM FAR AWAY FROM CENTER LINE OF FITTINGS AT EVERY SIDE. HOW EVER, THE SAME MAY BE CHANGED AS PER SITE CONDITIONS /AS DIRECTED BY EIC.
- 9 FROM THE TRNITION FITTINGS TO THE ISOLATION VALVE SHALL BE COSIDERED IN THE OUTSIDE KITCHEN PIPING.
- 10 AT THE TIME OF MEASURING LENGTH OG GI/COPPER PIPE, GI/CU FITTINGS SHALL BE COUNTED IN THE PIPE LENGTH.
- 11 G.I./HALF ROUND R.C.C. GUARD INSTALLATION SHALL BE DECIDED BY OWNER/OWNER'S REPRESENTATIVE AS PER SITE CONDITIONS.

REV.	DATE	SIGN	SIGN	SIGN	SUBJECT OF REVISION
REVISION		DRAWN	CHECKED	APPROVED	

TITLE: TYPICAL DOMESTIC CONNECTION LAYOUT OF NG DISTRIBUTION

SIZE : A3 SCALE : NTS SHEET: 1 OF 1
DRAWING NUMBER